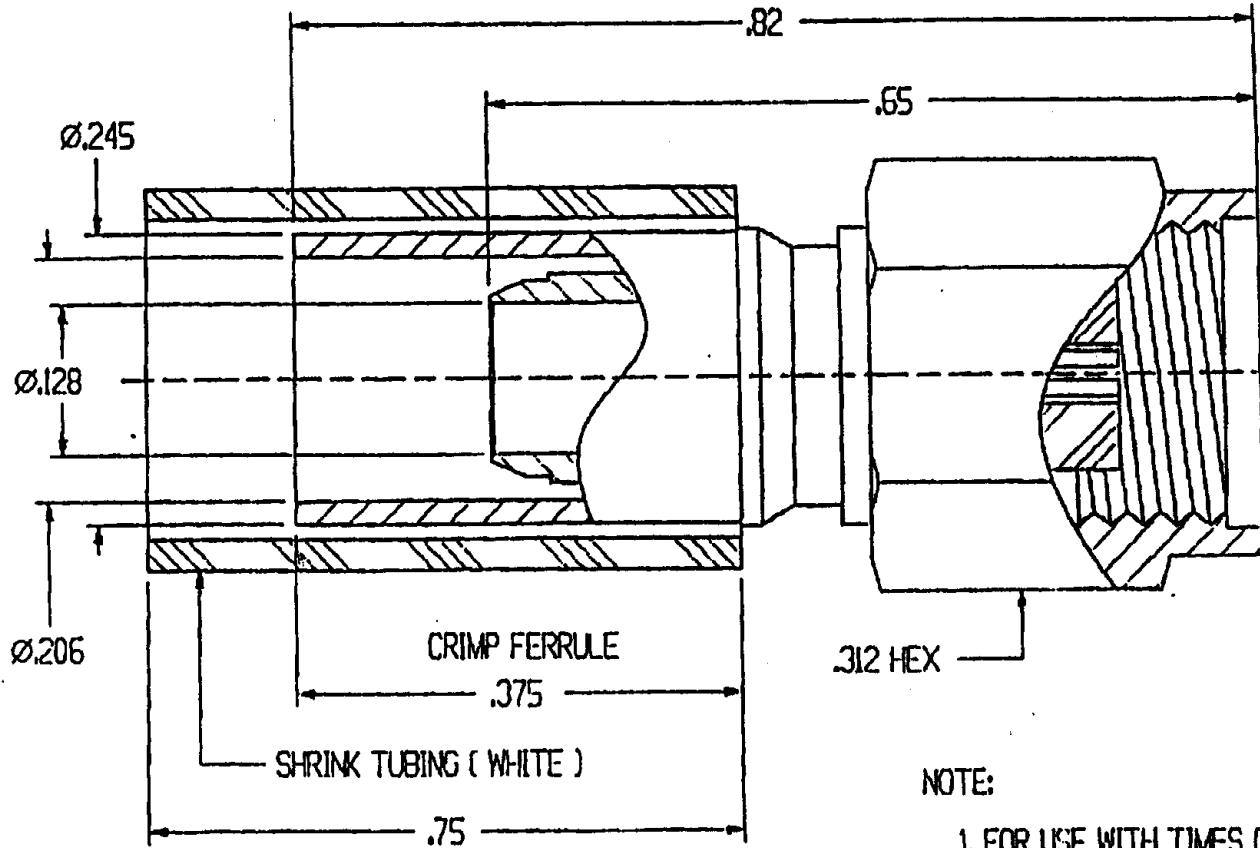


NOTICE OF PROPRIETARY RIGHTS

THIS DOCUMENT CONTAINS CONFIDENTIAL TECHNICAL DATA, INCLUDING TRADE SECRETS, PROPRIETARY TO TIMES MICROWAVE SYSTEMS. DISCLOSURE OF THIS DATA IS EXPRESSLY CONDITIONED UPON YOUR ASSENT THAT ITS USE IS LIMITED TO USE WITHIN YOUR COMPANY ONLY. ANY OTHER USE IS STRICTLY PROHIBITED WITHOUT THE PRIOR WRITTEN CONSENT OF TIMES MICROWAVE SYSTEMS.

SYM	REVISION DESCRIPTION	BY/TH	DATE	APPD	DATE
A	RELEASED FOR PRODUCTION	JP	06/7/95	RA	06/7/95



NOTE:

1. FOR USE WITH TIMES CABLE, LMR 200.
2. CRIMP W/ .213 HEX DIE (M22520/5-05).

DRAFTSMAN	J. PRETA	6/7/95	TIMES MICROWAVE SYSTEMS 358 HALL AVENUE PO BOX 5039 WALLINGFORD CT 06492-5039		
CHECKER			TITLE TC200-SM-RP		
APPROVED			DESC. SMA RP PLUG, FOR LMR-200		
UNLESS OTHERWISE SPECIFIED			CODE IDENT.	DRVG NO.	REV.
TOLERANCES ON DECIMALS .XX ± .XXX ± ANGLES ± FRACTIONS ±			68999	3190-327	A
DO NOT SCALE DRAWING			SCALE	NONE	SHEET 1 OF 1