

**NOTICE OF PROPRIETARY RIGHTS** THIS DOCUMENT CONTAINS CONFIDENTIAL TECHNICAL DATA, INCLUDING TRADE SECRETS, PROPRIETARY TO TIMES MICROWAVE SYSTEMS. DISCLOSURE OF THIS DATA IS EXPRESSLY CONDITIONED UPON YOUR ASSENT THAT ITS USE IS LIMITED TO USE WITHIN YOUR COMPANY ONLY. ANY OTHER USE IS STRICTLY PROHIBITED WITHOUT THE PRIOR WRITTEN CONSENT OF TIMES MICROWAVE SYSTEMS.

SYM	REVISION DESCRIPTION	DFTM	DATE	APPD	DATE
-	RELEASED FOR PRODUCTION	J. C. L.	5/22/96	J. C. L.	5/22/96
A		T. J. S.	8/11/04	T. J. S.	8/11/04
B	REDRAWN AND UPDATED	J. C. L.	9/26/05	J. C. L.	9/26/05
C	CHANGED PER CDC #27656	D. J. H.	12/6/07	J. D. B.	12/11/07
D	CHANGED PER CDC #28087	D. J. H.	3/17/08	J. D. B.	3/19/08

THIS CONNECTOR IS INDIVIDUALLY PACKAGED. FOR BULK-PACKAGING, SEE 3190-551.

1.0 PERFORMANCE

- 1.1 FREQUENCY RANGE: DC-18GHz
- 1.2 VOLTAGE RATING: 335 VRMS (sea level)
- 1.3 NOMINAL IMPEDANCE: 50 OHMS
- 1.4 DWV: 1000V RMS @ 60Hz (sea level)
- 1.5 TEMPERATURE RANGE: -40°C TO +165°C

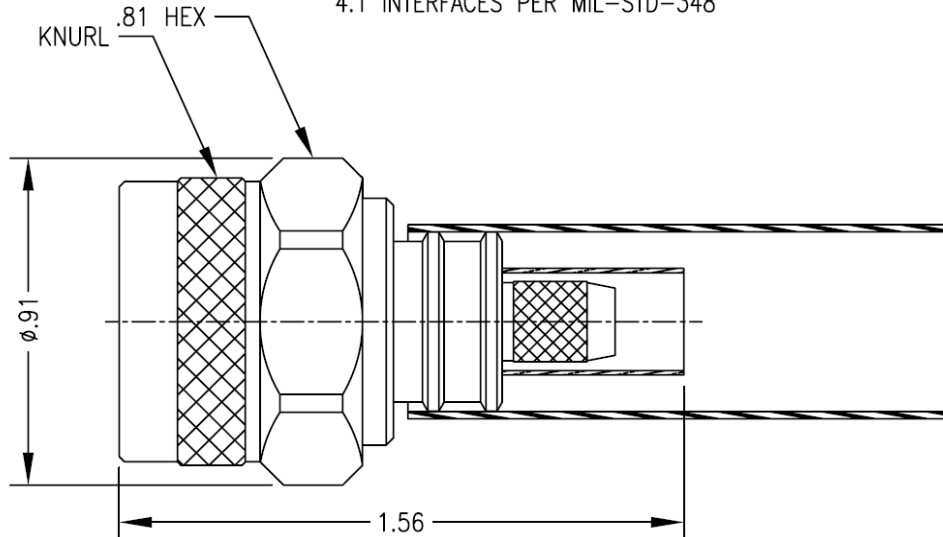
2.0 MATERIALS

- 2.1 DIELECTRIC: PTFE
- 2.2 CENTER CONTACT: BRASS

2.3 CRIMP FERRULE: DHP COPPER, SOFT TEMPER

- 2.4 ALL OTHER METAL PARTS: BRASS
- 2.5 LOCKING RING: PHOSPHOR BRONZE
- 2.6 GASKET: SILICON RUBBER
- 2.7 HEAT SHRINK: THICK WALL POLYOLEFIN, BLACK, REF: SUMITUBE W3B2
- 3.0 FINISHES: SEE TABLE
- 4.0 MECHANICAL
- 4.1 INTERFACES PER MIL-STD-348

BODY	CONTACT
ALBALOY .0001	Au/Ni .000030



MATERIAL:	UNLESS OTHERWISE SPECIFIED	DFTM. J. C. L.	TIMES MICROWAVE SYSTEMS
	ALL DIMENSIONS ARE IN INCHES MACHINED SURFACES FINISH N/A RMS MAX. REMOVE ALL BURRS .005 MAX. BREAK MACHINE CORNERS .005 MAX. FILLET R. TOLERANCES ON DECIMALS .XX ± .03 .XXX ± .005 ANGLES ± 3° FRACTIONS ± N/A	DATE 5/22/96	
USED ON: B		CHKD. J. C. L.	CONNECTOR ASSEMBLY (TC-240-NMH-D) TYPE N MALE (PLUG) (INDIVIDUALLY PACKAGED) FOR LMR240 CABLE
		DATE 5/22/96	
SCALE: N/A	DWG. SIZE A	APPD. J. C. L.	SHEET 1 of 1 SD3190-382 REV D
		DATE 5/22/96	