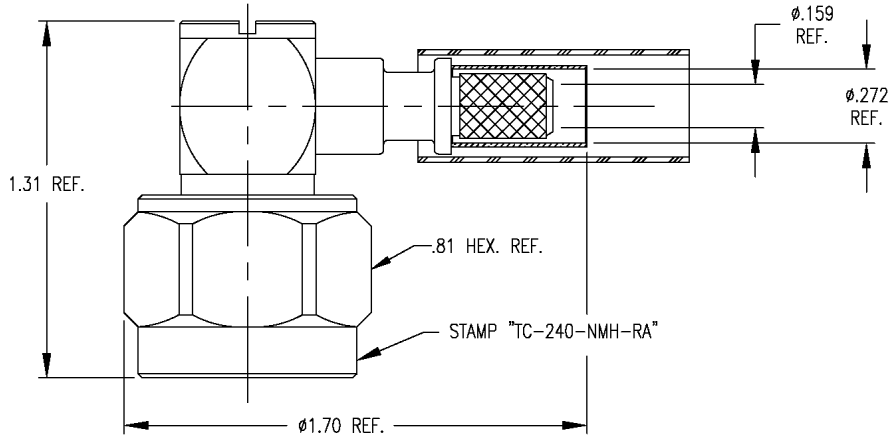


THE REVISION STATUS OF ALL SHEETS OF THIS DRAWING IS THE SAME AS SHEET 1

LTR	DESCRIPTION	DATE	BY
-	Released	7/26/00	JCL



I. MATERIALS & FINISHES

- center contact: Gold Plated Brass
- outer contact: Alballoy Plated Brass
- body: Alballoy Plated Brass
- coupling nut: Alballoy Plated Brass
- crimp sleeve: Alballoy Plated Copper
- dielectric: Teflon® PTFE
- gasket: Silicone Rubber
- shrink sleeve: Adhesive Lined Polyolefin
- attachment: braid crimp (.255" hex)

II. ELECTRICAL PROPERTIES

- impedance: 50 ohms
- working voltage: 1000 vrms (max)
- vswr: 1.25:1 (max) up to 2.5 GHz
- insertion loss: 0.15 x √Fghz

Unless otherwise specified, dimensions are in inches. Tolerances are applicable when specified.

These drawings and specifications contain proprietary information which is the property of Times Microwave Systems.

Approvals		
Drawn	JCL	7/26/00



TIMES MICROWAVE SYSTEMS

Wallingford, CT 06492
 (203) 949-8400; (203) 949-8423.Fax
 www.timesmicrowave.com

TC-240-NMH-RA (A)

**N Male (Plug) Right Angle
 for LMR-240 Cable**

Size A	CAGE CODE 68999	Drawing No.: 3190-868
Scale: NA	Rev. (-)	Sheet: 1 of 1