

TIMES MICROWAVE SYSTEMS

TC-240-BM(A) (stock code: 3190-867)

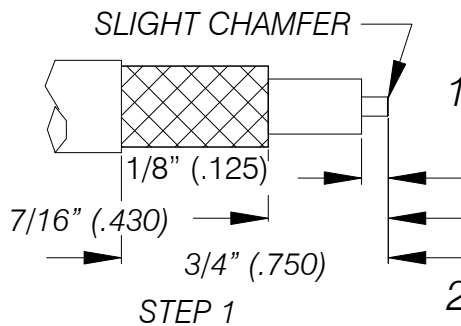
Type BNC Male Plug

Solder-on center contact

Crimp-on (.255" hex.) outer contact

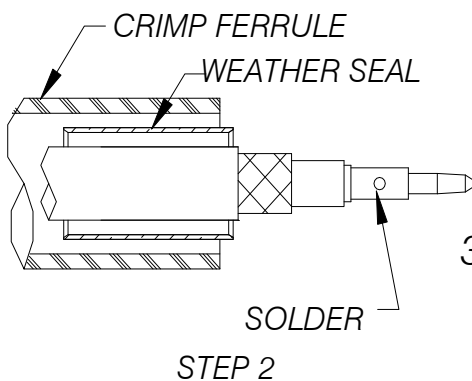
INSTALLATION INSTRUCTIONS

(Cable Types: LMR-240; 240 DB; 240 FR; 240 Ultraflex)



- (A) Trim cable to dimensions shown.
(B) Remove any residual plastic from center conductor.
(C) Deburr center conductor using a fine file.

- (A) Slide weather seal and crimp ferrule over cable.
(B) Seat center contact firmly against cable dielectric and solder cable to conductor. Use minimal heat to minimize melting of foam dielectric. Inspect to be sure aluminum foil is not touching center contact.



- (A) Flare braid and insert cable into connector body until dielectric is seated with all braid wires on outside of connector body and aluminum tape inside connector body.

(B) Braid should assemble flush to within 1/16" (.06) of connector shoulder. Trim braid if necessary.

(C) Slide crimp ferrule over braid and crimp as close to body as possible using hex. die indicated (above) in a Times HX-4 crimp tool or equivalent. Do not crimp rear of crimp ferrule.

(D) Heat shrink weather seal over rear of connector body and down on to cable jacket using hot air gun.

