

TIMES MICROWAVE SYSTEMS

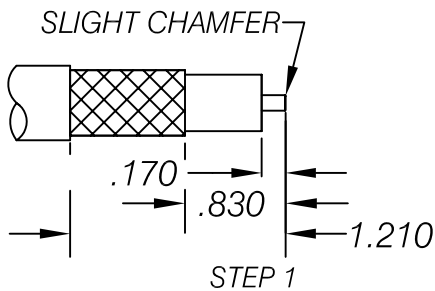
TC-240-NMH-RA(A) (stock code: 3190-868)

Type N-Male Right Angle Plug

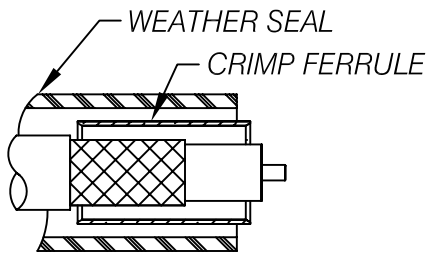
solder-on center contact
crimp-on (.255" hex.) outer contact

INSTALLATION INSTRUCTIONS

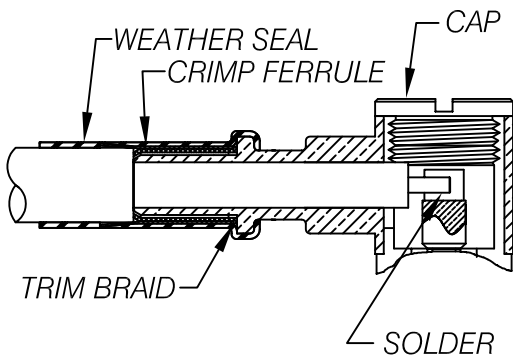
(Cable Types: LMR-240; 240 DB; 240 FR; 240 Ultraflex)



1. (A) Trim cable to dimensions.
(B) Remove any residual plastic from center conductor.
(C) Deburr center conductor using a fine file or Times DBT-01 tool.



2. (A) Slide weather seal and crimp ferrule over cable.



3. (A) Flare braid and insert cable into connector body.
(B) Position dielectric within the range of flush to inner body up to half way to center contact.
(C) Trim excess braid flush to shoulder on connector.
(D) Slide crimp ferrule over braid and crimp as close to body as possible using a .255 hex. die in a Times HX-4 crimp tool or equivalent. Do not crimp rear of crimp ferrule.
(E) Heat shrink weather seal over rear of connector body and down on to cable jacket using hot air gun.
(F) Soft solder cable conductor into slot. Then assemble cap into body.

STEP 3

Rev. F