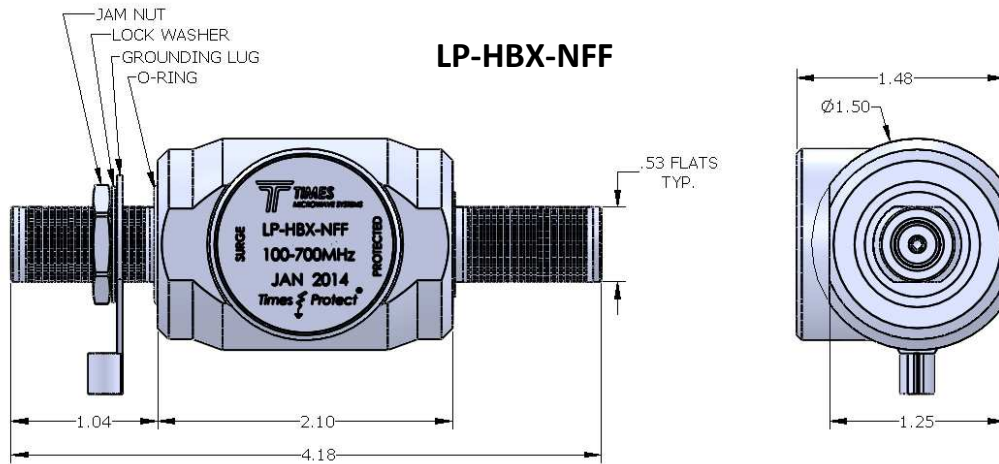
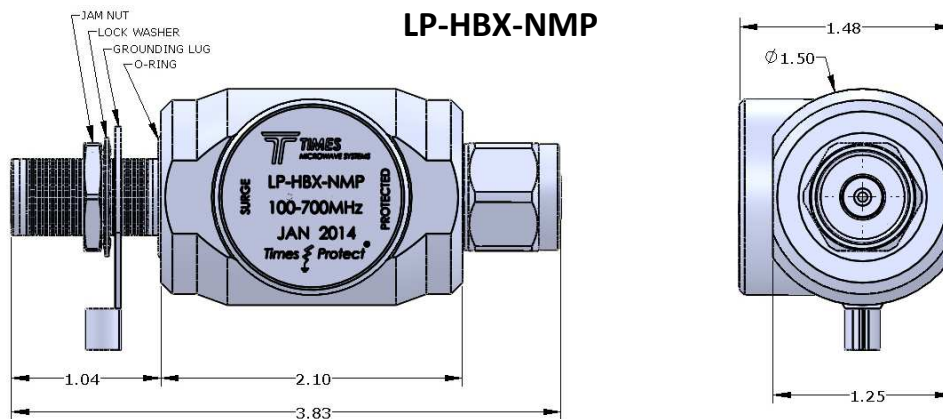


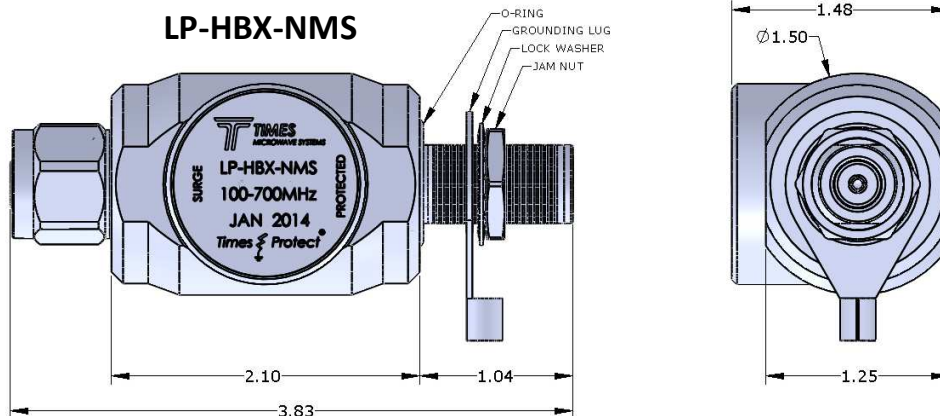
## LP-HBX-N Series Lightning Protector Installation Instructions



All LP-HBX-N Series connectors are labeled “Surge” and “Protected”. The “Surge” side must be connected to the expected surge source (e.g. antenna). The “Protected” side must be connected to the equipment. **Protector and equipment damage can occur if the protector is installed backwards.**



The NMP version has an N connector, Male gender, on the Protected side



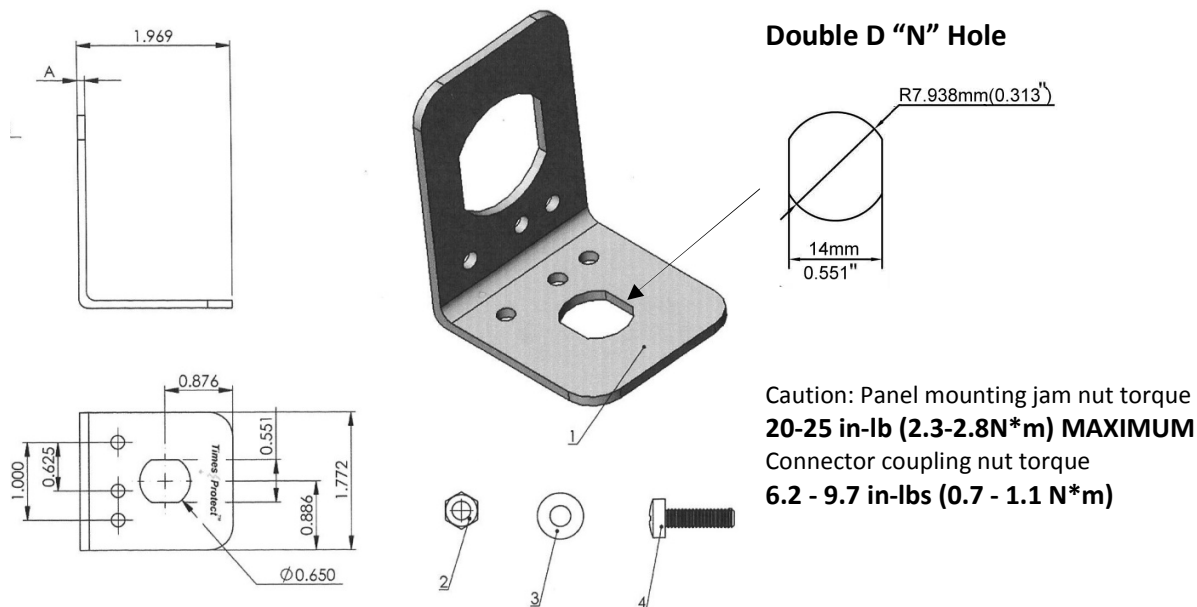
The NMS version has an N connector, Male gender, on the Surge side.

Except for connector gender, all HBX protectors have the same mechanical and electrical specifications. **All protectors are weatherized and sealed to IP65 allowing for outdoor as well as indoor installation.**

## Protector Grounding

The protector must be connected to ground through a double “D” hole in a conductive surface entry panel, or an optional LP-BFDN-CW copper bracket bonded to a grounded plate (shown below), or a large gauge wire with minimum bends crimped to the supplied lug nut on the connector. The level of protection with *any* protector is most influenced by the quality of the attached earth ground system.

### Optional copper LP-BFDN-CW protector mounting bracket



Drill (2) 4.8mm (0.1874") holes in grounded plate using the bracket as template. Attach bracket to ground plate with (2) M4x15mm, flat-washers under bolt heads, and star-washers under nuts (hardware supplied with bracket). Insert protector in “double D” N type connector hole.

### Warranty (LP- HBX-N series)

Times Microwave Systems (the seller) warrants to the original purchaser its surge and lightning protection products used in commercial communications applications to be free from defects in material or workmanship which arise from proper and normal use and service for ten (10) years. In the event that the purchaser becomes aware of a defect within this period of time, the seller will, at its options, repair or provide to the purchaser new material in exchange for the defective material. In order to receive any remedy under this warranty, the purchaser must notify Times Microwave Systems of the defect and receive a return authorization.

The entire liability of the seller shall be limited to the repair or provision of new material in exchange for the defective product. Seller shall not be liable for any consequential or incidental damages, cost of removal and re-installation of the product or any other costs incurred by the purchaser as a result of the defect. In no case shall the liability of the seller exceed the sales price of the surge and lightning protection products found to be defective. The above constitutes the entire warranty provided by Times Microwave Systems. There are no other warranties provided, expressed or implied.

#### Times Microwave Systems

358 Hall Avenue • Wallingford, CT 06492 • 203-949-8400, (800) 867-2629 Fax: 203-949-8423  
International Sales: 4 School Brae, Dysart, Kirkcaldy, Fife, Scotland KY1 2XB UK • Tel: +44 (0) 1592655428  
China Sales: No. 318 Yuan Shan Road, Shanghai, China • Tel: 86-21-51761234 Fax: 86-21-64424098