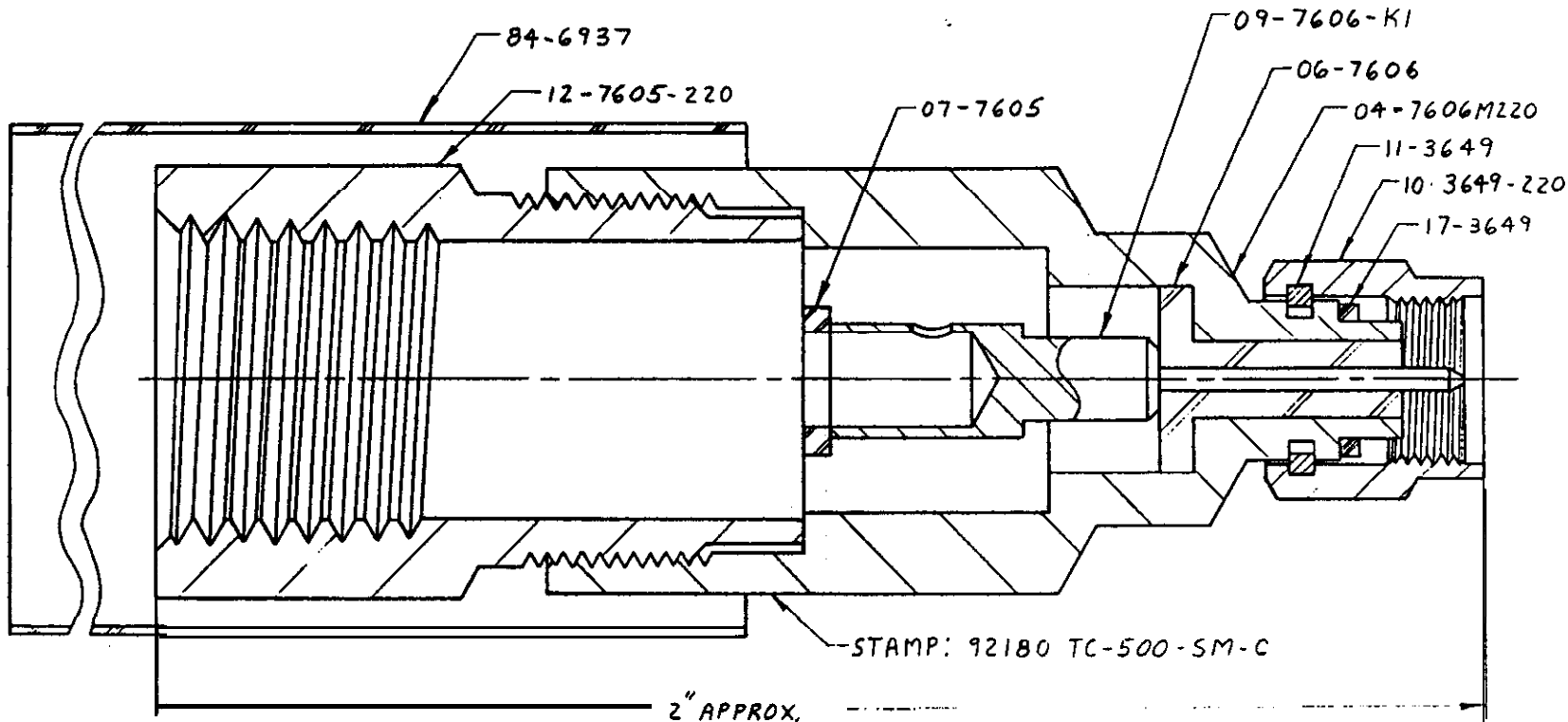


NOTICE
 THIS DOCUMENT CONTAINS CONFIDENTIAL TECHNICAL DATA, INCLUDING TRADE NAMES, PROPRIETARY TO TIMES MICROWAVE SYSTEMS. DISCLOSURE OF THIS DATA IS EXPRESSLY CONDITIONED UPON YOUR ASSENT THAT ITS USE IS LIMITED TO USE WITHIN YOUR COMPANY ONLY. ANY OTHER USE IS STRICTLY PROHIBITED WITHOUT THE PRIOR WRITTEN CONSENT OF TIMES MICROWAVE SYSTEMS.

PROPRIETARY RIGHTS

| SYM | REVISION DESCRIPTION | DFTM | APP'D | DATE |
|-----|-------------------------|------------|-------|---------|
| A | RELEASED FOR PRODUCTION | JP 09/1/94 | RA | 09/1/94 |

SERIES: SMA, PLUG FOR TIMES T-COM-500, LMR-500 CABLES



| | | | | |
|--|----------|--------|---|--------------|
| DRAFTSMAN | J. PRETA | 9/1/94 | TIMES MICROWAVE SYSTEMS 358 HALL AVENUE PO BOX 5039 WALLINGFORD CT 06492-5039 | |
| CHECKER | | | TITLE TC-500-SMC | |
| APPROVED | | | DESC. SMA-PLUG, FOR LMR-500 | |
| UNLESS OTHERWISE SPECIFIED | | | CODE IDENT. | DRWG. NO. |
| TOLERANCES ON DECIMALS XX ± XXX ± ANGLES ± FRACTIONS ± | | | 68999 | 3190-249 |
| DO NOT SCALE DRAWING | | | SCALE | REV. A |
| | | | NONE | SHEET 1 OF 1 |