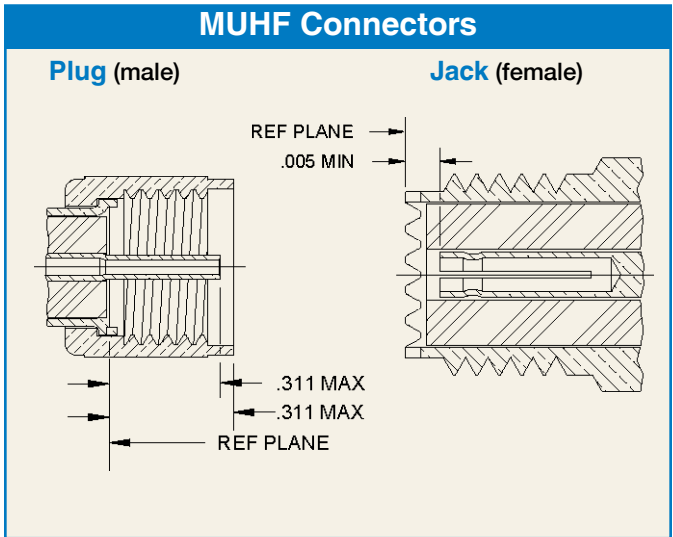
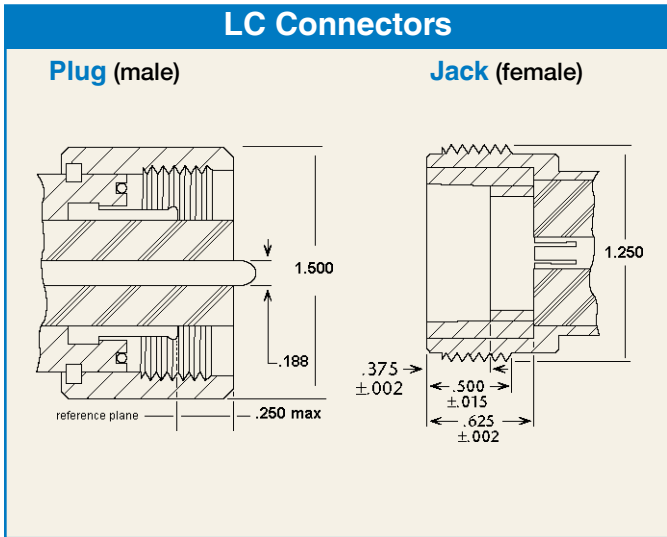
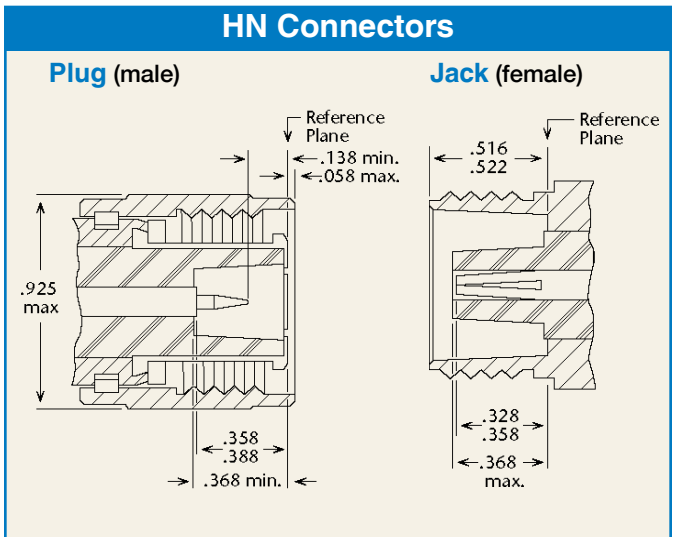
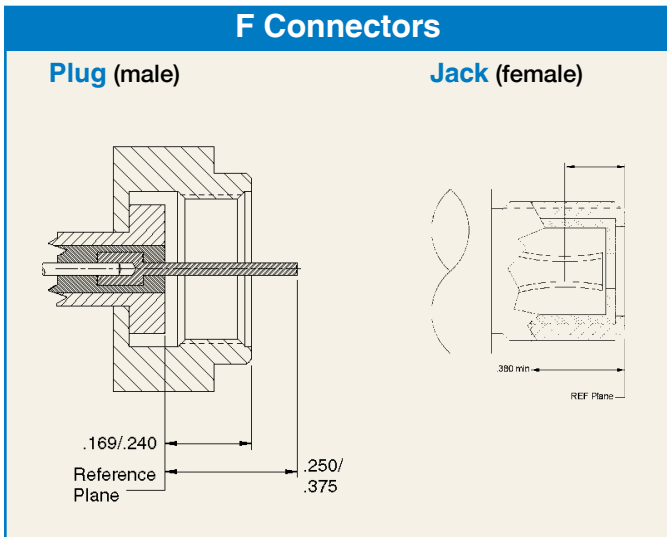
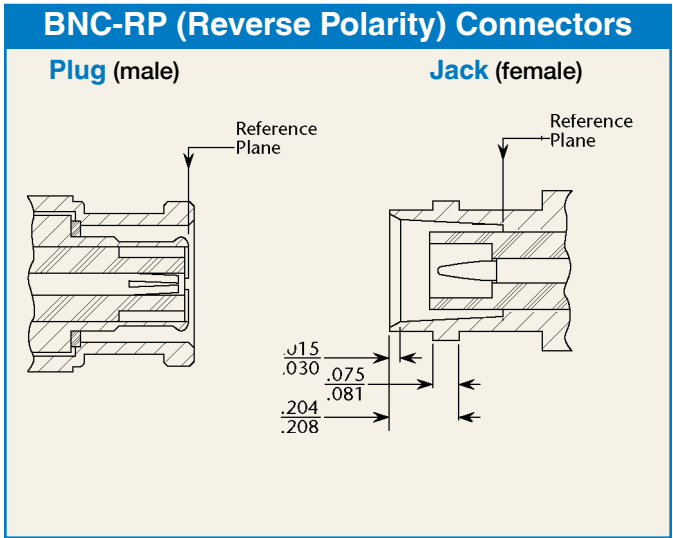
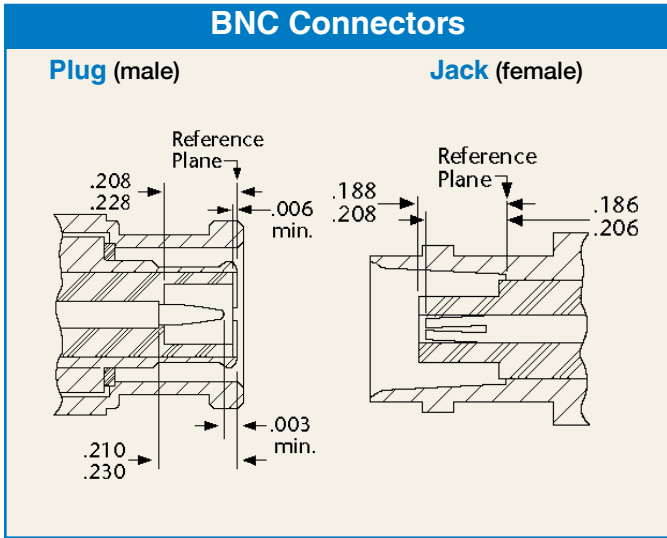


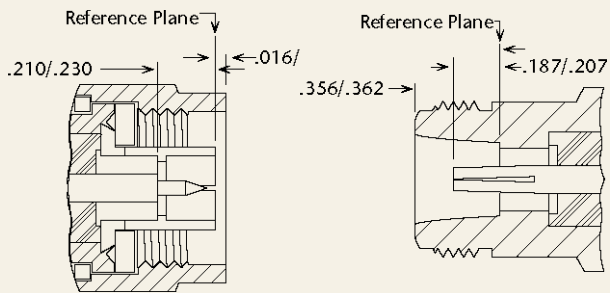
# Connector Interface Guide



**N Connectors**

**Plug (male)**

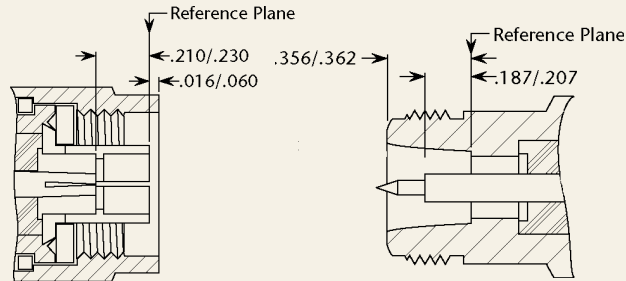
**Jack (female)**



**N-RP (Reverse Polarity) Connectors**

**Plug (male)**

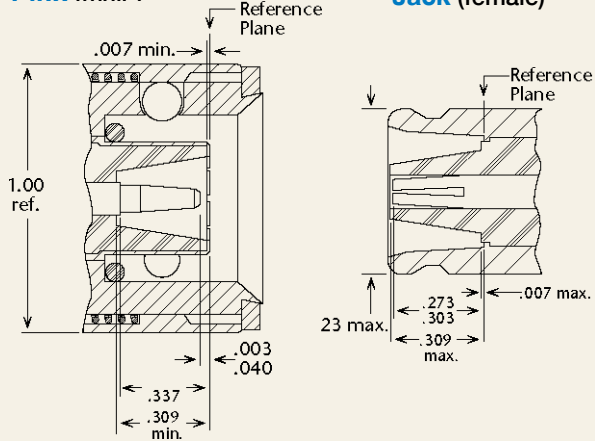
**Jack (female)**



**QDS Connectors**

**Plug (male)**

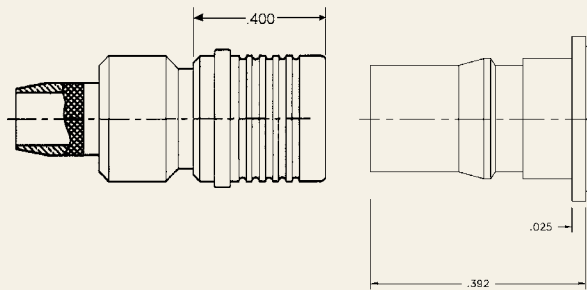
**Jack (female)**



**QMA Connectors**

**Plug (male)**

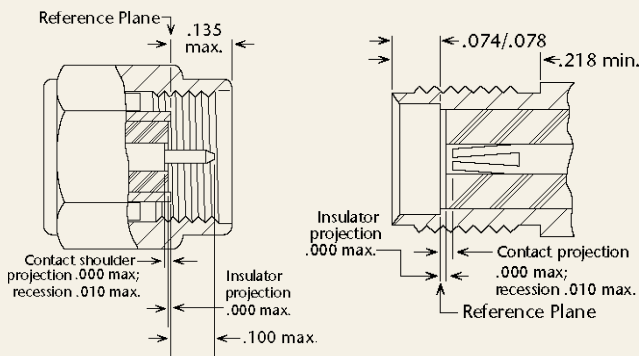
**Jack (female)**



**SMA Connectors**

**Plug (male)**

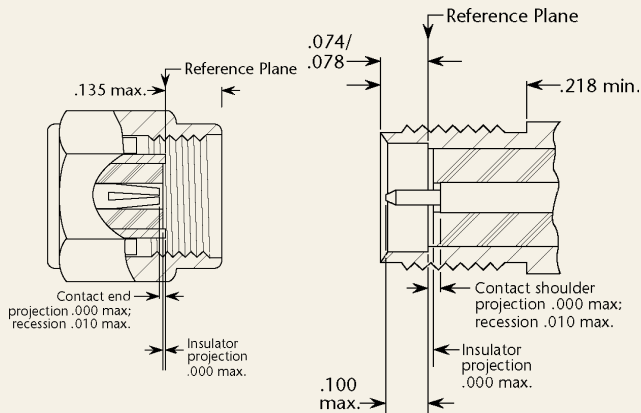
**Jack (female)**



**SMA-RP (Reverse Polarity) Connectors**

**Plug (male)**

**Jack (female)**



# Connector Interface Guide

