

I. Electric Performance

Gas tube 90V 、 230V 、 350V

II. Material and plating :

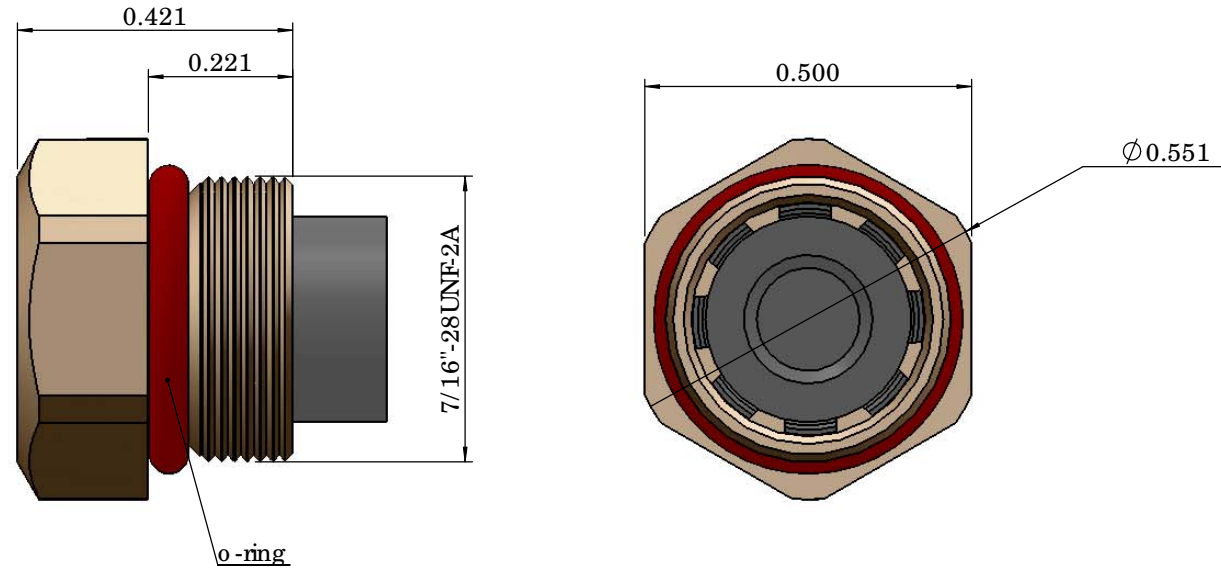
Housing Brass / Spring copper Plating White Bronze2um / Ag5um  
 O-ring Silicon rubber

III. Mechanical Performance & Environment

Screw torque 53.1 in-lbs  
 Temp.range -40°C~+85°C  
 Weather standard IEC 60068 40 / 085/ 21  
 ROHS compliant

Gas tube	Times P/N
90V	IP-GTD
230V	IP-GTD-23
350V	IP-GTD-35

Description	
Gas tube replacement kit	
Sheet 1/1	Metric inch



I, Electric Performance

Gas tube 90V 、 230V 、 350V

II, Material and plating :

Housing Brass / Spring copper Plating White Bronze2um / Ag5um  
O-ring Silicon rubber

III, Mechanical Performance & Environment

Screw torque 53.1 in-lbs  
Temp.range -40°C~+85°C  
Weather standard IEC 60068 40 / 085/ 21  
ROHS compliant

Gas tube	Times P/N
90V	IP-GT
230V	IP-GT23
350V	IP-GT35

Description

Gas tube replacement kit

Sheet 1/1	Metric inch
--------------	----------------