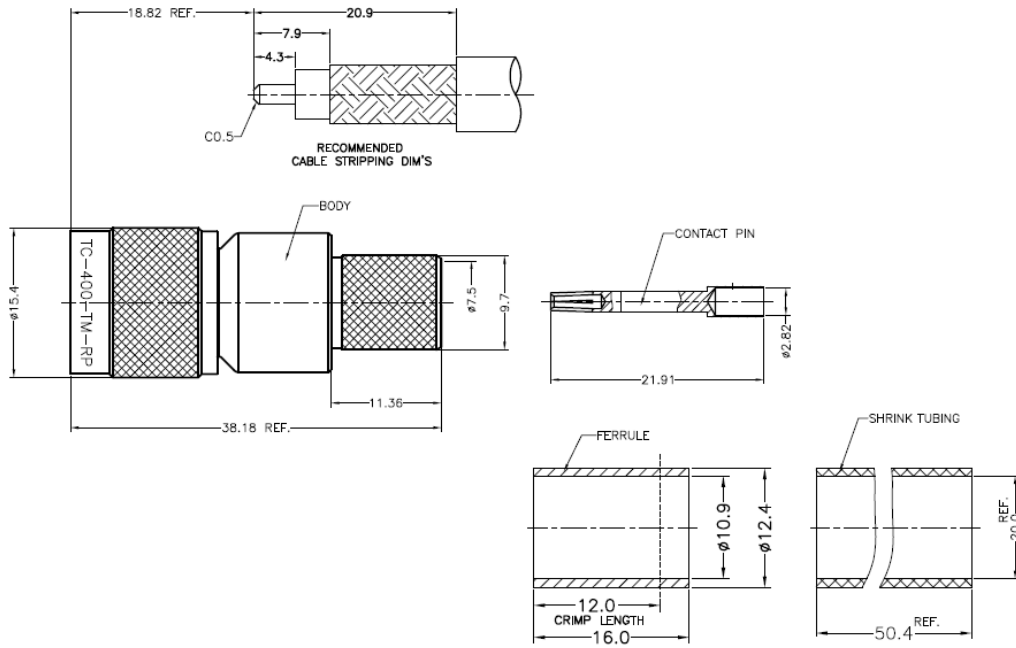


**NOTICE OF PROPRIETARY RIGHTS** THIS DOCUMENT CONTAINS CONFIDENTIAL TECHNICAL DATA, INCLUDING TRADE SECRETS, PROPRIETARY TO TIMES MICROWAVE SYSTEMS. DISCLOSURE OF THIS DATA IS EXPRESSLY CONDITIONED UPON YOUR ASSENT THAT ITS USE IS LIMITED TO USE WITHIN YOUR COMPANY ONLY. ANY OTHER USE IS STRICTLY PROHIBITED WITHOUT THE PRIOR WRITTEN CONSENT OF TIMES MICROWAVE SYSTEMS.

SYM	REVISION DESCRIPTION	DFTM	DATE	APPD	DATE
A	RELEASED FOR PRODUCTION	N. N. N	7/6/15	J. D. B.	7/7/15

REMARKS:

1. CRIMPED FERRULE HEX. CRIMP SIZE .429"
2. CENTER PIN IS SOLDERED.



MATERIALS AND PLATING		UNIT: MICRO-INCHES
BODY, SHELL	BRASS C3604	NICKEL PL. 200u" / COPPER
CONTACT PIN	PHOSPHOR BRONZE	GOLD 15u" / NICKEL / COPPER
INSULATOR	TEFLON MIL-P-19468	NATURAL
FERRULE	BRASS	NICKEL PL. 200u" / COPPER
GASKET	SILICONE	RED

(MECHANICAL CHARACTERISTICS)	
Force to engage and disengage	N/A
Center contact retention force	N/A
Coupling torque	N/A
Coupling nut retention force	≥ 60 lbs
Durability	≥ 500 cycles

ELECTRICAL CHARACTERISTICS	
Impedance	50 Ω
Voltage rating	500V(rms)
Frequency range	0~4GHz
Dielectric withstanding voltage	1000V
Contact resistance	Center contact ≤ 3mΩ Outer contact ≤ 2mΩ
Insulation resistance	≥ 5000MΩ
Insertion loss	(According as the cable)
RF-leakage	N/A
VSWR	1.25 MAX.(0-2.5GHz)
3rd Intermodulation	N/A

ENVIRONMENTAL CHARACTERISTICS	
Temperature range	-55°C - +125°C
Vibration	MIL-STD-202, Method 202, Cond D
Shock	MIL-STD-202, Method 202
Corrosion	MIL-STD-202, Method 101, Cond B

MATL:  
SEE ABOVE

USED ON:

SCALE: ~

UNLESS OTHERWISE SPECIFIED

ALL DIMENSIONS ARE IN mm

UNLESS OTHERWISE SPECIFIED:  
 1) EDGES C0.15 MAX;  
 2) REMOVE ALL BURRS;  
 3) SURFACE ROUGHNESS Ra1.6;  
 4) UNITS (mm);  
 5) DIMENSIONS TOLERANCES DECIMALS ANGLES  
 .x ±0.3 ±5°  
 .xx ±0.2

DO NOT SCALE DRAWING

CODE IDENT 68999

DFTM. N. N. N

DATE 7/6/15

CHKD. J. D. B.

DATE 7/7/15

APPD. J. D. B.

DATE 7/7/15

TIMES MICROWAVE SYSTEMS

**TC-400-TM-RP**  
Reverse Polarity TNCM  
for LMR-400

1 of 1 | SD3190-1062 | REV A