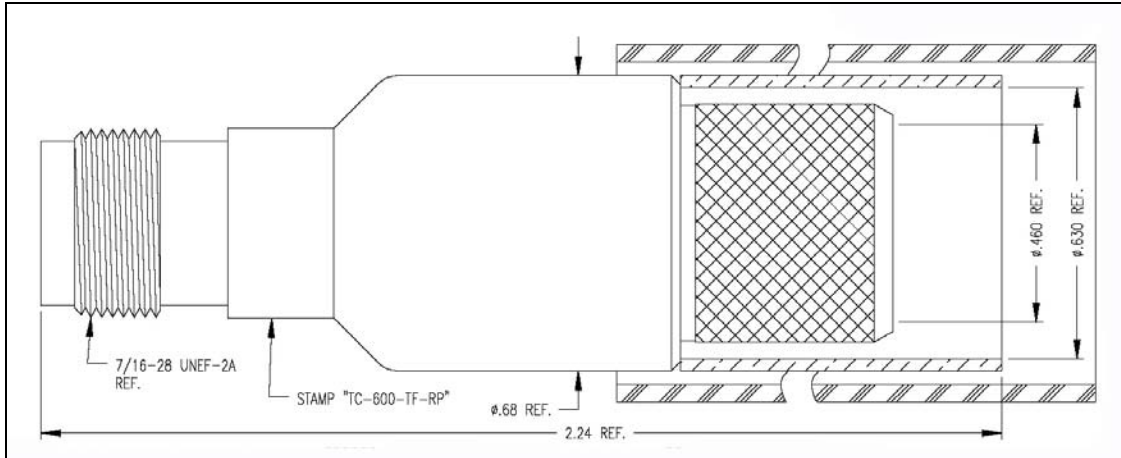


LTR	DESCRIPTION	DATE	BY
-	Released	2/14/01	JCL



I. MATERIALS & FINISHES

- center contact: Gold Plated Brass – male pin
- outer contact: Nickel Plated Brass
- body: Nickel Plated Brass
- crimp sleeve: Nickel Plated Copper
- dielectric: Teflon® PTFE
- gasket: Silicone Rubber
- shrink sleeve: Adhesive Lined Polyolefin
- crimp size: .610" hex

II. ELECTRICAL PROPERTIES

- impedance: 50 ohms
- working voltage: 500 vrms (max)
- vswr: 1.25:1 (max) up to 3 GHz
- insertion loss: 0.1 x √Fghz

Unless otherwise specified, dimensions are in inches. Tolerances are applicable when specified.

These drawings and specifications contain proprietary information which is the property of Times Microwave Systems.

Approvals		
Drawn	JCL	2/14/01
Check		
Prj. Mgr.		
Prd. Mgr.		
QA Mgr.		



TIMES MICROWAVE SYSTEMS

Wallingford, CT 06492
 (203) 949-8400; (203) 949-8423.Fax
 www.timesmicrowave.com

TC-600-TF-RP

Reverse Polarity TNC Female (male pin)
 for LMR-600 Cable

Size A	CAGE CODE 68999	Drawing No.: 3190-1065
--------	---------------------------	----------------------------------

Scale: NA

Rev. ()

Sheet: 1 of 1