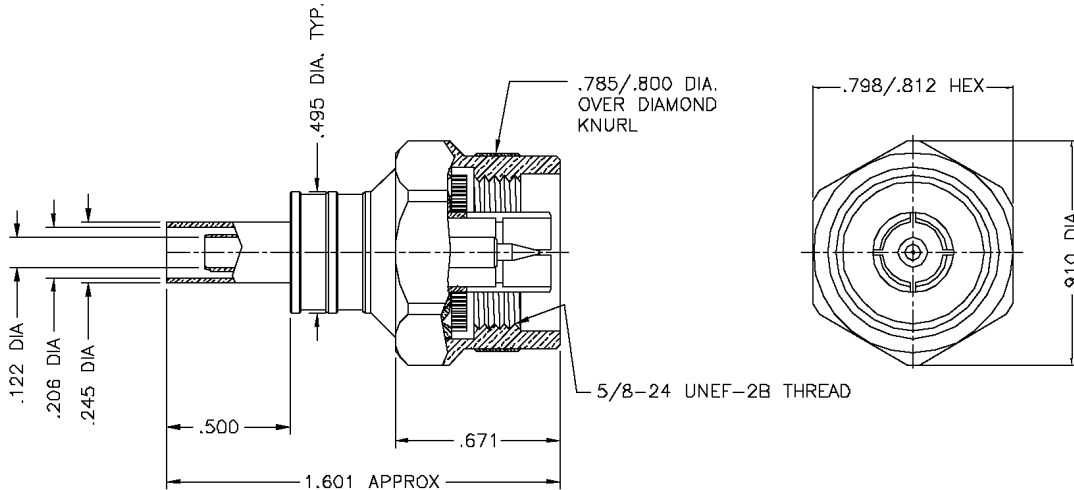


THE REVISION STATUS OF ALL SHEETS OF THIS DRAWING IS THE SAME AS SHEET 1

LTR	DESCRIPTION	DATE	BY
-	Released	8/20/03	JCL
A	Changed Coupling Nut & Rear Body Design	11/1/05	JCL



I. MATERIALS & FINISHES

- center contact: Gold Plated Brass
- outer contact: Alballoy Plated Brass
- coupling nut: Alballoy Plated Brass
- body: Alballoy Plated Brass
- crimp sleeve: Silver Plated Copper
- dielectric: Teflon® PTFE
- gasket: Silicone Rubber
- shrink sleeve: Adhesive Lined Polyolefin
- attachment: braid crimp (.213"hex)

II. ELECTRICAL PROPERTIES

- impedance: 50 ohms
- working voltage: 1000 vrms (max)
- vswr: 1.25:1 (max) up to 3 GHz
- insertion loss: 0.10 x √Fghz

Unless otherwise specified, dimensions are in inches. Tolerances are applicable when specified.

These drawings and specifications contain proprietary information which is the property of Times Microwave Systems.

Approvals		
Drawn	JCL	8/20/03

TIMES MICROWAVE SYSTEMS
 Wallingford, CT 06492
 (203) 949-8400; (203) 949-8423.Fax
 www.timesmicrowave.com

TC-195-NM
 Type-N male (plug) with Hex/Knurl Coupling Nut
 for LMR-195 Cable

Size A	CAGE CODE 68999	Drawing No.: 3190-1555A
Scale: NA	Rev. (A)	Sheet: 1 of 1