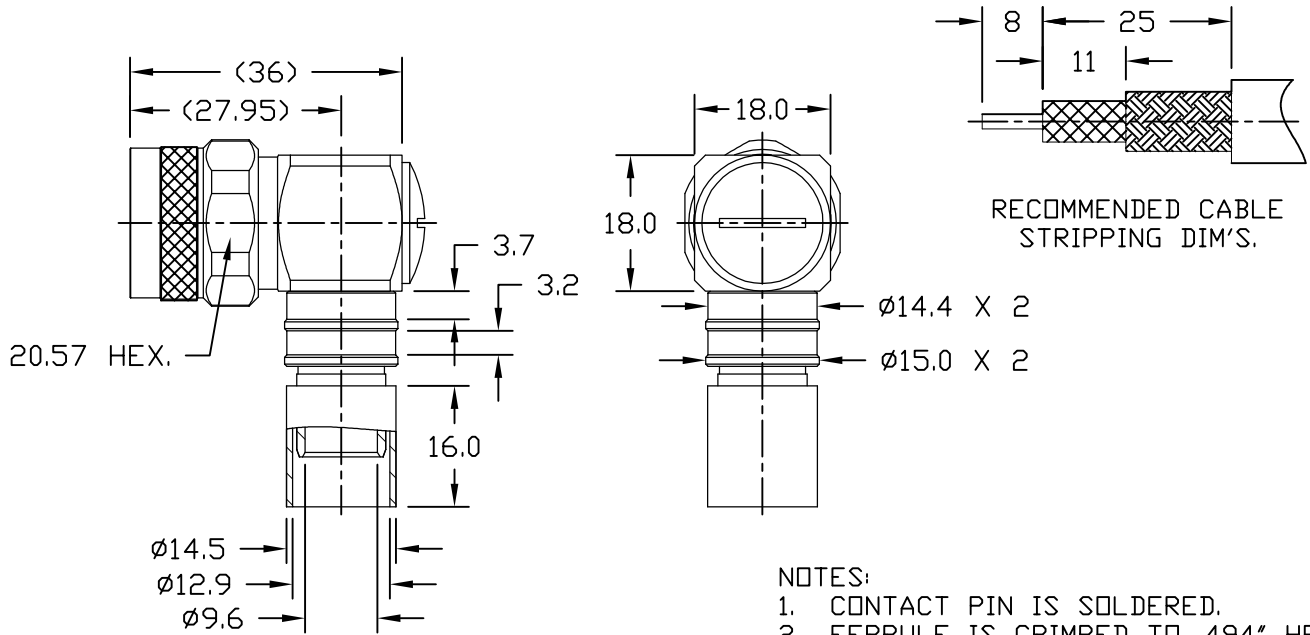


NOTICE OF PROPRIETARY RIGHTS THIS DOCUMENT CONTAINS CONFIDENTIAL TECHNICAL DATA, INCLUDING TRADE SECRETS, PROPRIETARY TO TIMES MICROWAVE SYSTEMS. DISCLOSURE OF THIS DATA IS EXPRESSLY CONDITIONED UPON YOUR ASSENT THAT ITS USE IS LIMITED TO USE WITHIN YOUR COMPANY ONLY. ANY OTHER USE IS STRICTLY PROHIBITED WITHOUT THE PRIOR WRITTEN CONSENT OF TIMES MICROWAVE SYSTEMS.

SYM	REVISION DESCRIPTION	DFTM	DATE	APPD	DATE
A	RELEASED FOR PRODUCTION	K.A.M.	1/21/10	J.D.B.	3/5/10
B	CHANGED PER CDC #33840	K.A.M.	7/27/11	J.D.B.	8/4/11
C	CHANGED PER CDC #35831	D.J.H.	7/13/12	J.D.B.	7/16/12



ALL PARTS SATISFIED ROHS REQUIREMENTS

MATERIALS AND PLATING		UNIT: MICRO-INCHES
BODY, SHELL	BRASS C3604	ALBALOY PL. 80µ * MIN.
CONTACT PIN	BRASS C3604	GOLD PL. 50µ */NICKEL/COPPER
INSULATOR	TEFLON MIL-P-19468	N/A
FERRULE	COPPER	ALBALOY PL. 80µ * MIN.
GASKET	SILICONE	RED

ELECTRICAL CHARACTERISTICS	
Impedance	50 Ω
Voltage rating	500 V(rms)
Frequency range	0~6 GHz
Dielectric withstanding voltage	1500V
Contact resistance	Center contact ≤ 1.5 mΩ Outer contact ≤ 1 mΩ
Insulation resistance	≥ 5000MΩ
Insertion loss	According as the cable

MECHANICAL CHARACTERISTICS	
Force to engage and disengage	N/A
Center contact retention force	6 lbs MIN.
Coupling torque	30 in-lbs.
Coupling nut retention force	100 lbs
Durability	≥ 500 cycles

ENVIRONMENTAL CHARACTERISTICS	
Temperature range	-55°C - +155°C
Thermal shock	US MIL- STD 202, Meth. 107, Cond. B
Vibration	US MIL- STD 202, Meth. 204, Cond. B
Shock	US MIL- STD 202, Meth. 213, Cond. I
Climatic class	IEC 60068 65/165/21

MATL:	UNLESS OTHERWISE SPECIFIED	DFTM: K. A. M.	TIMES MICROWAVE SYSTEMS		
USED ON: 0	ALL DIMENSIONS ARE IN mm MACHINED SURFACES FINISH 1.6 RMS MAX. REMOVE ALL BURRS 0.15X45° MAX. BREAK MACHINE CORNERS 0.15X45° MAX. FILLET R. TOLERANCES ON DECIMALS . X ± 0.3 . XX ± 0.2 ANGLES ± 2° FRACTIONS ± N/A	DATE: 1/21/10	TC-500-NMH-RA-D 90° N MALE FOR LMR500 CABLE		
SCALE: N/A	DO NOT SCALE DRAWING	CHKD: J. D. B.			
DWG. SIZE: A	CODE IDENT: 68999	DATE: 3/5/10			
		APPD: J. D. B.			
		DATE: 3/5/10	1 of 1	SD3190-2513	C