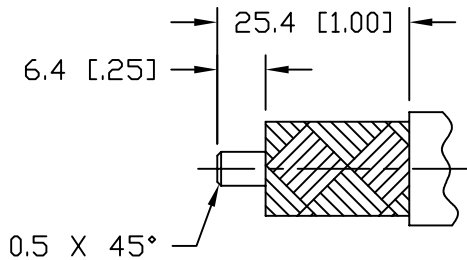
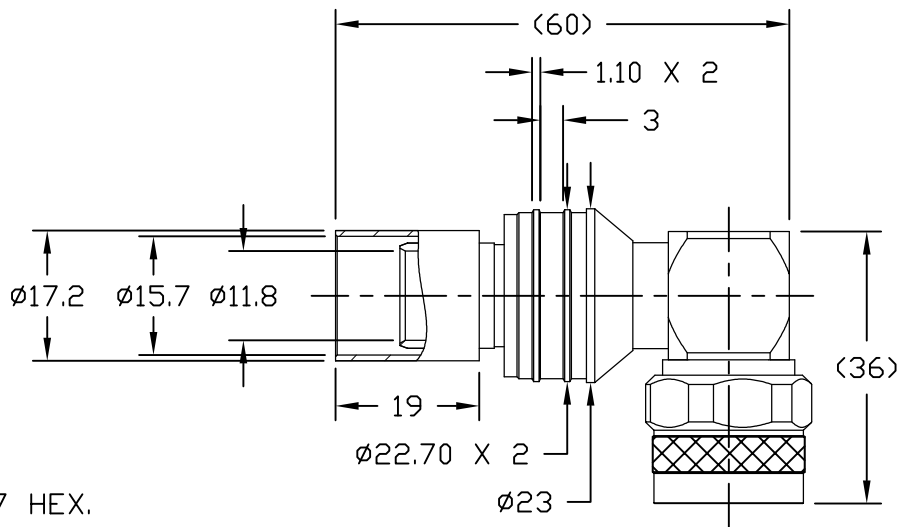
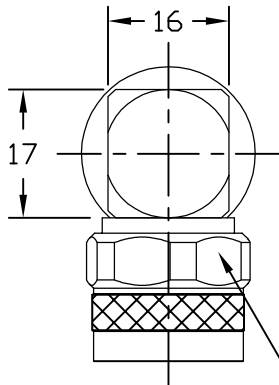


**NOTICE OF PROPRIETARY RIGHTS** THIS DOCUMENT CONTAINS CONFIDENTIAL TECHNICAL DATA, INCLUDING TRADE SECRETS, PROPRIETARY TO TIMES MICROWAVE SYSTEMS. DISCLOSURE OF THIS DATA IS EXPRESSLY CONDITIONED UPON YOUR ASSENT THAT ITS USE IS LIMITED TO USE WITHIN YOUR COMPANY ONLY. ANY OTHER USE IS STRICTLY PROHIBITED WITHOUT THE PRIOR WRITTEN CONSENT OF TIMES MICROWAVE SYSTEMS.

SYM	REVISION DESCRIPTION	DFTM	DATE	APPD	DATE
A	RELEASED FOR PRODUCTION	K.A.M.	5/20/11	J.D.B.	6/9/11
B	CHANGED PER CDC #38524	D.J.H.	9/24/13	J.D.B.	2/6/14



CABLE PREP.  
USE CST-600  
(3192-052)  
.610" HEX.



Reference Standard IEC60169-16

I. Electric Performance

Nominal Impedance( $\Omega$ ):	50
Frequency Range:	DC-6GHz
VSWR:	$\leq 1.35$
Insert Loss(dB):	$\leq 0.10(0-3G)$
Insulation resistance(M $\Omega$ )	$>5000$
Proof Voltage(V)	2500
Conductor resistance(m $\Omega$ )	outer conductor $<0.4$ inner conductor $<0.8$

II. Mechanical Performance

Whorl pull	500N
Nut Torque	5N.m
Tensile force(cable-connect)	500N
Torsion(cable-connect)	3N.m

III. Material and plating

Component	Material	Plating
Inner conductor	Beryllium Copper	Au $>1.27\mu m$
Outer conductor	Brass	Copper-tin-zinc $>2\mu m$
Insulator	PTFE	
Nut	Brass	Copper-tin-zinc $>2\mu m$

IV. Environment

Temp. range	-55°C~+155°C
Weather standard	IEC 60068 55 / 155/ 56
Thermal shock	US MIL-STD 202, Meth.107, Cond.B
Vibration	US MIL-STD 202, Meth.204, Cond.B
Shock	US MIL-STD 202, Meth.213, Cond.I
Waterproofing standard	IP68
ROHS Compliant	

V. Assembly: inner conductor installed and outer conductor crimped

MATERIAL:	UNLESS OTHERWISE SPECIFIED	DFTM: K. A. M.	TIMES MICROWAVE SYSTEMS
	ALL DIMENSIONS ARE IN mm MACHINED SURFACES FINISH N/A RMS MAX. REMOVE ALL BURRS N/A MAX. BREAK MACHINE CORNERS N/A MAX. FILLET R. TOLERANCES ON DECIMALS .XX $\pm$ N/A .XXX $\pm$ N/A ANGLES $\pm 1^\circ$ FRACTIONS $\pm$ N/A	DATE: 5/20/11	
USED ON: 2-0		CHKD: J. D. B.	<b>EZ-600-NMH-RA-X</b> 90° N MALE FOR LMR-600 CABLE EZ/CRIMP/NO BRAID TRIM
		DATE: 6/9/11	
SCALE: N/A	DWG. SIZE: A	APPD: J. D. B.	SHEET: 1 of 1
		DATE: 6/9/11	
DO NOT SCALE DRAWING	CODE IDENT: 68999	DATE: 6/9/11	REV: B