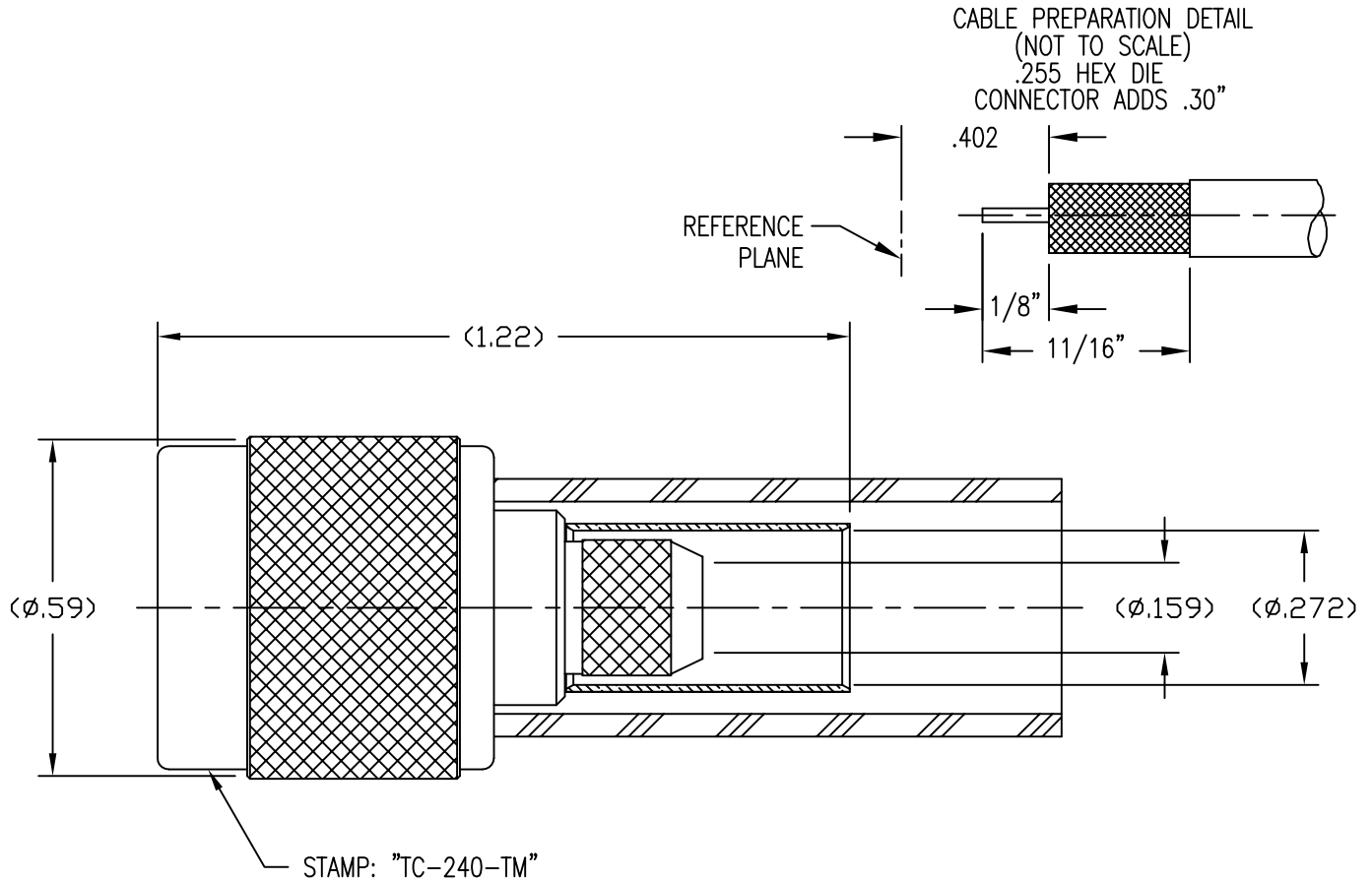


**NOTICE OF PROPRIETARY RIGHTS** THIS DOCUMENT CONTAINS CONFIDENTIAL TECHNICAL DATA, INCLUDING TRADE SECRETS, PROPRIETARY TO TIMES MICROWAVE SYSTEMS. DISCLOSURE OF THIS DATA IS EXPRESSLY CONDITIONED UPON YOUR ASSENT THAT ITS USE IS LIMITED TO USE WITHIN YOUR COMPANY ONLY. ANY OTHER USE IS STRICTLY PROHIBITED WITHOUT THE PRIOR WRITTEN CONSENT OF TIMES MICROWAVE SYSTEMS.

SYM	REVISION DESCRIPTION	DFTM	DATE	APPD	DATE
-	RELEASED FOR PRODUCTION	J. C. L.	10/6/94	J. C. L.	10/6/94
A	Center Contact from Silver to Gold	J. C. L.	12/19/96	J. C. L.	12/19/96
B	CHANGED PER CDC #29698	D. J. H.	9/15/09	J. D. B.	10/14/09



- |  |   |
|--|---|
| 1.0 PERFORMANCE                          | 2.3 CRIMP FERRULE: DHP SOFT COPPER, CDA 122, SOFT TEMPER                |
| 1.1 FREQUENCY RANGE: DC-11GHz            | 2.4 LOCKING RING: PHOSPHOR BRONZE, ASTM-B-159, ALLOY 510                |
| 1.2 VOLTAGE RATING: 500V RMS (sea level) | 2.5 OTHER METAL PARTS: BRASS PER ASTM-B-16                              |
| 1.3 NOMINAL IMPEDANCE: 50 OHMS           | 2.6 GASKET: SILICON RUBBER, ZZ-R-765, GR. 50, RED                       |
| 1.4 DWV: 1500 V RMS @ 60 Hz (sea level)  | 2.7 SHRINK SLEEVE: THICK WALL POLYOLEFIN, MIL-I-23053/4, CLASS 3, BLACK |
| 1.5 TEMPERATURE RANGE: -65°C TO +165°C   |   |
| 2.0 MATERIALS                            | 3.1 FINISHES  |
| 2.1 DIELECTRIC: TEFLON, ASTM-D-1710      | 3.1 CENTER CONTACT: GOLD PLATED   |
| 2.2 CENTER CONTACT: BRASS, ASTM-B-16     | 3.2 ALL OTHER METAL PARTS: NICKEL PLATED                                |
|  | 4.0 MECHANICAL  |
|  | 4.1 INTERFACE: IN ACCORDANCE WITH MIL-STD-348                           |

MATL:	UNLESS OTHERWISE SPECIFIED ALL DIMENSIONS ARE IN INCHES MACHINED SURFACES FINISH N/A RMS MAX. REMOVE ALL BURRS .005 MAX. BREAK MACHINE CORNERS .005 MAX. FILLET R. TOLERANCES ON DECIMALS . XX ± .03 . XXX ± .005 ANGLES ± 1° FRACTIONS ± 1/32	DFTM. J. C. L.	TIMES MICROWAVE SYSTEMS
		DATE 10/6/94	
USED ON: B2		CHKD. J. C. L.	<b>TC-240-TM</b> "TNC" MALE, CRIMP FOR LMR-240 CABLE
		DATE 10/6/94	
SCALE: N/A	DWG. SIZE A	APPD. J. C. L.	SHEET 1 of 1
		DATE 10/6/94	
DO NOT SCALE DRAWING	CODE IDENT 68999	DATE 10/6/94	REV B