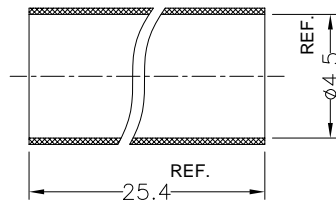
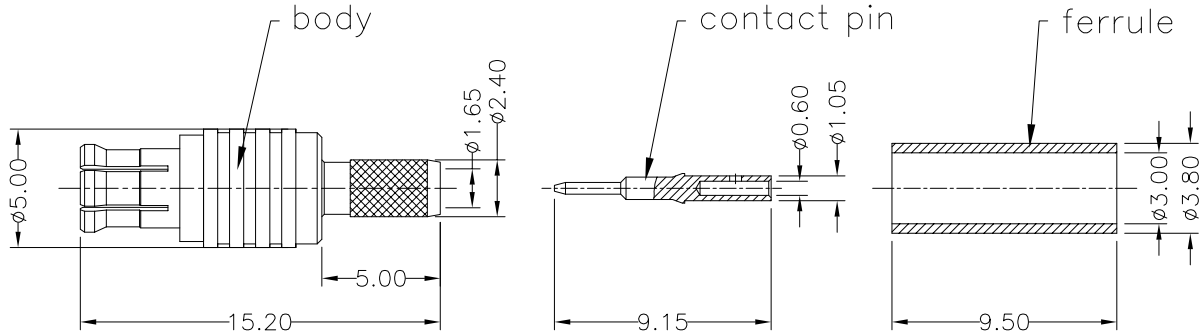


NOTICE OF PROPRIETARY RIGHTS THIS DOCUMENT CONTAINS CONFIDENTIAL DATA, INCLUDING TRADE SECRETS, PROPRIETARY TO TIMES MICROWAVE SYSTEMS. DISCLOSURE OF THIS DATA IS EXPRESSLY CONDITIONED UPON YOUR ASSENT THAT ITS USE IS LIMITED TO USE WITHIN YOUR COMPANY ONLY. ANY OTHER USE IS STRICTLY PROHIBITED WITHOUT THE PRIOR WRITTEN CONSENT OF TIMES MICROWAVE SYSTEMS.

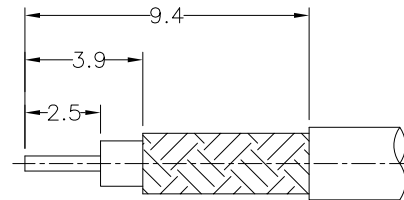
SYM	REVISION DESCRIPTION	DFTM	DATE	APPD	APPD
A	RELEASED FOR PRODUCTION	Joslen	2017.07.25	TZ	2017.07.25

REMARKS:

- CONTACT PIN TO SOLDER
- CRIMPED FERRULE HEX. CRIMP SIZE .129"



Heat Shrink Tube



RECOMMENDED CABLE STRIPPING DIM'S
Connector adds: 7.0 mm

I. MATERIALS & FINISHES

Components	Materials	Finishes	Thk. (μ")
Body	Brass	Gold	3
Center Cont.	Brass	Gold	5
Outer Contact	QBe2	Gold	3
Ferrule	Brass	Gold	3
Insulator	PTFE	--	--

II. ELECTRICAL PROPERTIES

Impedance (Ω):	50
Frequency Range (GHz):	DC to 6 GHz
Working Voltage (V):	500
Insulation Resistance (MΩ):	≥1000
VSWR:	≤1.35
Insertion Loss(dB, f/GHz):	-0.1x √f



III. ENVIRONMENT PROPERTIES

Temperature Range:	-55°C~+125°C
Thermal Shock:	MIL-STD 202G, Meth.107, Cond.B
Vibration:	MIL-STD 202G, Meth.204, Cond.B
Shock:	MIL-STD 202G, Meth.213, Cond I
Climatic Class:	IEC 60068 55/155/56
(2002/95/EC)RoHS:	Compliant

IV. MECHANICAL PROPERTIES

Center Cont.:	Solder
Outer Cont.:	Crimp
Coupling Nut Torque (N.m):	N/A
Cbl-Connector Retention Force (N):	100
Durability (cycles):	500

According to Standard: **CECC 22220**

MATL:	UNLESS OTHERWISE SPECIFIED		DFTM.	Joslen		
	ALL DIMENSIONS ARE IN mm MACHINED SURFACES FINISH 1.6 RMS MAX. REMOVE ALL BURRS 0.15X45° MAX. BREAK MACHINE CORNERS 0.15X45° D MAX. FILLET R. TOLERANCES ON DECIMALS .X ±0.3 .XX ±0.15 ANGLES ±2° FRACTIONS ± N/A		DATE	2017.07.25		
USED ON: O			CHKD	KG		SC-316-MCXM MCX Male (Plug) Straight Solder Pin Connector for RG-316 Cable
			DATE	2017.07.25		
			APPD	TZ		
SCALE:	DWG SIZE	DO NOT SCALE DRAWING	CODE IDENT	68999	DATE	2017.07.25 S H T 1 OF 1 3190-6293 R E V A