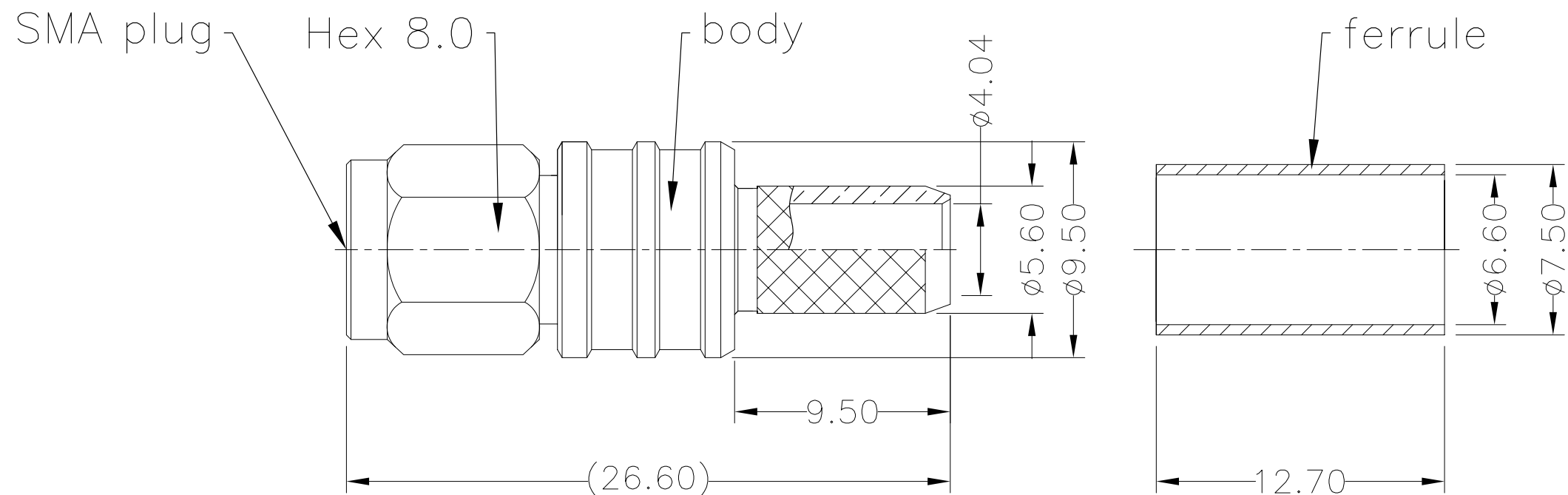


NOTICE OF PROPRIETARY RIGHTS THIS DOCUMENT CONTAINS CONFIDENTIAL DATA, INCLUDING TRADE SECRETS, PROPRIETARY TO TIMES MICROWAVE SYSTEMS. DISCLOSURE OF THIS DATA IS EXPRESSLY CONDITIONED UPON YOUR ASSENT THAT ITS USE IS LIMITED TO USE WITHIN YOUR COMPANY ONLY. ANY OTHER USE IS STRICTLY PROHIBITED WITHOUT THE PRIOR WRITTEN CONSENT OF TIMES MICROWAVE SYSTEMS.

SYM	REVISION DESCRIPTION	DFTM	DATE	APPD	APPD
A	RELEASED FOR PRODUCTION	Joslen	2016.10.12	TZ	2016.10.12



I. MATERIALS & FINISHES

Components	Materials	Finishes	Thk. (μ ")
Body/Shell	Brass	Albaloy	80
Center Cont.	QBe2	Gold	50
Ferrule	Brass	Albaloy	80
Insulator	PTFE	--	--
Gasket	Silicone	--	--

II. ELECTRICAL PROPERTIES

Impedance (Ω):	50
Frequency Range (GHz):	DC to 6 GHz
Working Voltage (V):	1000
Insulation Resistance (MΩ):	≥ 10000
VSWR:	≤ 1.30
Insertion Loss(dB, f/GHz):	$-0.1x \sqrt{f}$

III. ENVIRONMENT PROPERTIES

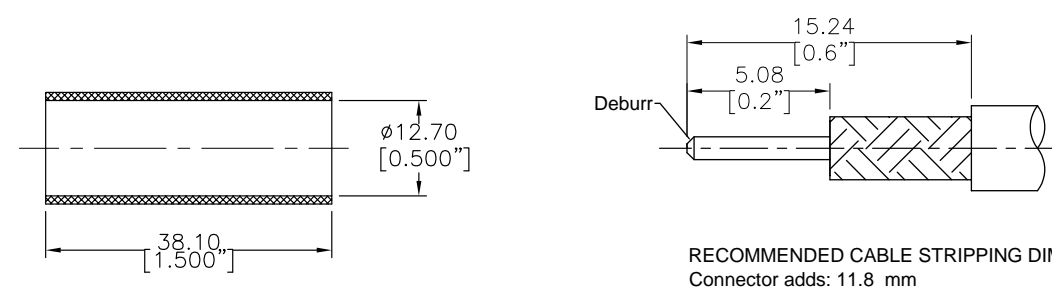
Temperature Range:	-40 $^{\circ}$ c~+125 $^{\circ}$ c
Thermal Shock:	MIL-STD 202G, Meth.107, Cond.B
Vibration:	MIL-STD 202G, Meth.204, Cond.B
Shock:	MIL-STD 202G, Meth.213, Cond I
Climatic Class:	IEC 60068 55/155/56
(2002/95/EC)RoHS:	Compliant

IV. MECHANICAL PROPERTIES

Center Cont.:	Finger Contact
Outer Cont.:	Crimp
Coupling Nut Torque (N.m):	1.1
Cbl-Connector Retention Force (N):	500
Durability (cycles):	500

V. TOOLING

Stripping Tool: 3192-152
Crimping Tool: 3190-667/CT-240/200/100



Shrink Tube (1/2"x1.5" 3:1)

RECOMMENDED CABLE STRIPPING DIM'S
Connector adds: 11.8 mm

According to Standard: IEC 61169-15

MATL:	UNLESS OTHERWISE SPECIFIED	DFTM.	Joslen	 An Amphenol Company
USED ON: O	ALL DIMENSIONS ARE IN mm MACHINED SURFACES FINISH 1.6 RMS MAX. REMOVE ALL BURRS 0.15X45 $^{\circ}$ MAX. BREAK MACHINE CORNERS 0.15X45 $^{\circ}$ D MAX. FILLET R. TOLERANCES ON DECIMALS .X ± 0.3 .XX ± 0.15 ANGLES $\pm 2^{\circ}$ FRACTIONS \pm N/A	DATE	2016.10.12	
SCALE: N/A	DO NOT SCALE DRAWING	CHKD	KG	
DWG SIZE A4	CODE IDENT	DATE	2016.10.12	
	68999	APPD	TZ	
		DATE	2016.10.12	EZ-240-SM-X SMA Male (Plug) Straight Non-Solder Pin No Braid Trim Connector for LMR-240 Cable
		SHEET	1 OF 1	3190-6319 REV A