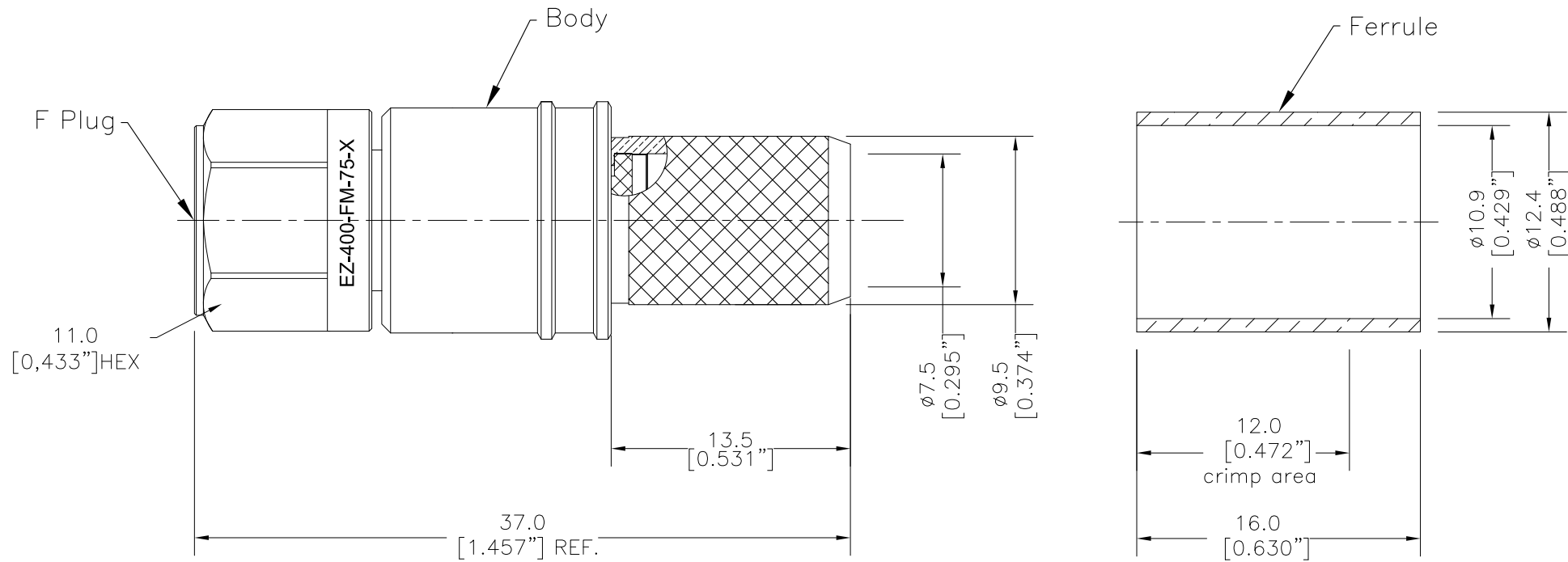


SYM	REVISION DESCRIPTION	DFTM	DATE	APPD	APPD
A	RELEASED FOR PRODUCTION	Monica	2019/06/05	Joslen	2019/06/05
B	ECN-2019-09-001	Monica	2019/09/05	Joslen	2019/09/05



I. MATERIALS & FINISHES

Components	Materials	Finishes	Thk. (μ")
Body	Brass	Albaloy	100
Contact Pin	Beryllium Copper	Gold	50
Insulator	PTFE	--	--
Ferrule	Copper	Albaloy	100
Gasket	Silicone	Red	--

II. ELECTRICAL PROPERTIES

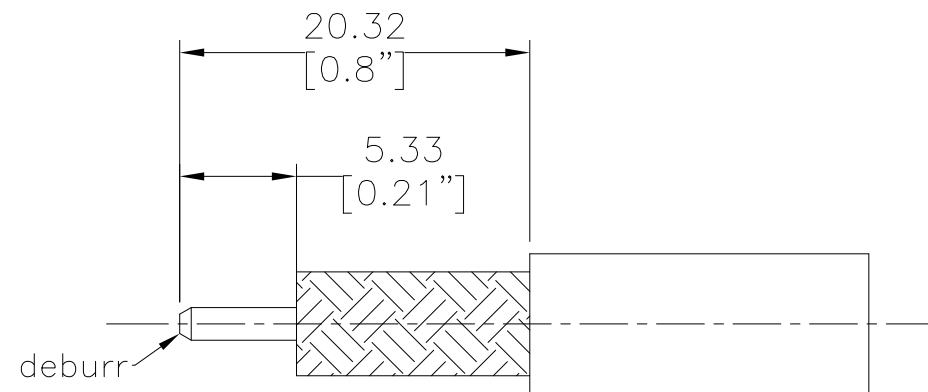
Impedance:	75 Ω
Frequency Range:	DC to 1 GHz
Dielectric Withstanding Voltage:	750 V rms
Insulation Resistance:	≥5000 MΩ
VSWR: DC to 1 GHz	≤1.30
Insertion Loss:	-0.1x√f(GHz) dB

III. ENVIRONMENTAL PROPERTIES

Temperature Range:	-40°C to +125°C
Thermal Shock:	MIL-STD-202, Meth.107, Cond. B
Vibration:	MIL-STD-202, Meth.204, Cond. D
Shock:	MIL-STD-202, Meth.213, Cond. I
Climatic Class:	IEC 60068 40/70/21
RoHS:	Compliant

IV. MECHANICAL PROPERTIES

Center Contact:	Spring Finger
Outer Contact:	Crimp
Coupling Nut Torque:	4.1-6.1 in.lbs
Cbl-Connector Retention Force:	120 lbs
Durability:	500 Cycles



RECOMMENDED CABLE STRIPPING DIM'S
Connector Adds: 19.35 mm

Interface Compatible with Standard:
IEC 61169-24

V. TOOLINGS & ACCESSORIES

Stripping Tool:	3192-089/ CST-400-75
Crimping Tool:	3190-666/ CT-400/300
Heat Shrink Tube:	3/4"x2" (3:1) 1 pcs
WSB Boot Option:	3109-394/ WSB-400

UNLESS OTHERWISE SPECIFIED		DFTM.	Monica	 An Amphenol Company						
ALL DIMENSIONS ARE IN mm MACHINED SURFACES FINISH 1.6 RMS MAX. REMOVE ALL BURRS 0.15X45° MAX. BREAK MACHINE CORNERS 0.15X45° D MAX. FILLET R. TOLERANCES ON DECIMALS .X ±0.15 .XX ±0.1 ANGLES ±2° FRACTIONS ± N/A		DATE	2019/06/05							
		CHKD	Patrick							
		DATE	2019/06/05							
		APPD	Joslen							
SCALE:	DWG SIZE	DO NOT SCALE DRAWING		DATE	2019/06/05	SHT	1/1	3190-6482	REV	B

EZ-400-FM-75-X
F Male (Plug) Straight Non-Solder Pin
No Braid Trim Connector for
LMR-400-75 Cable