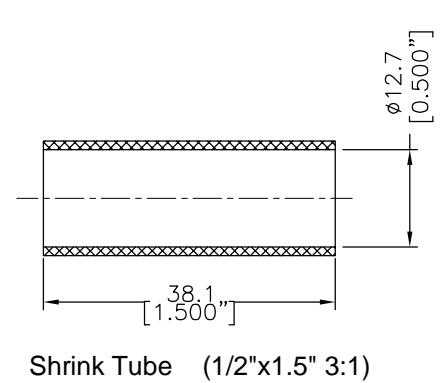
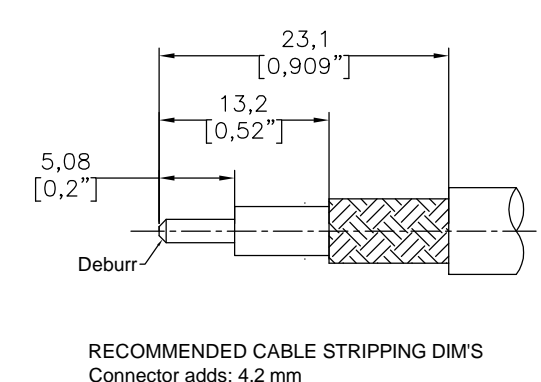
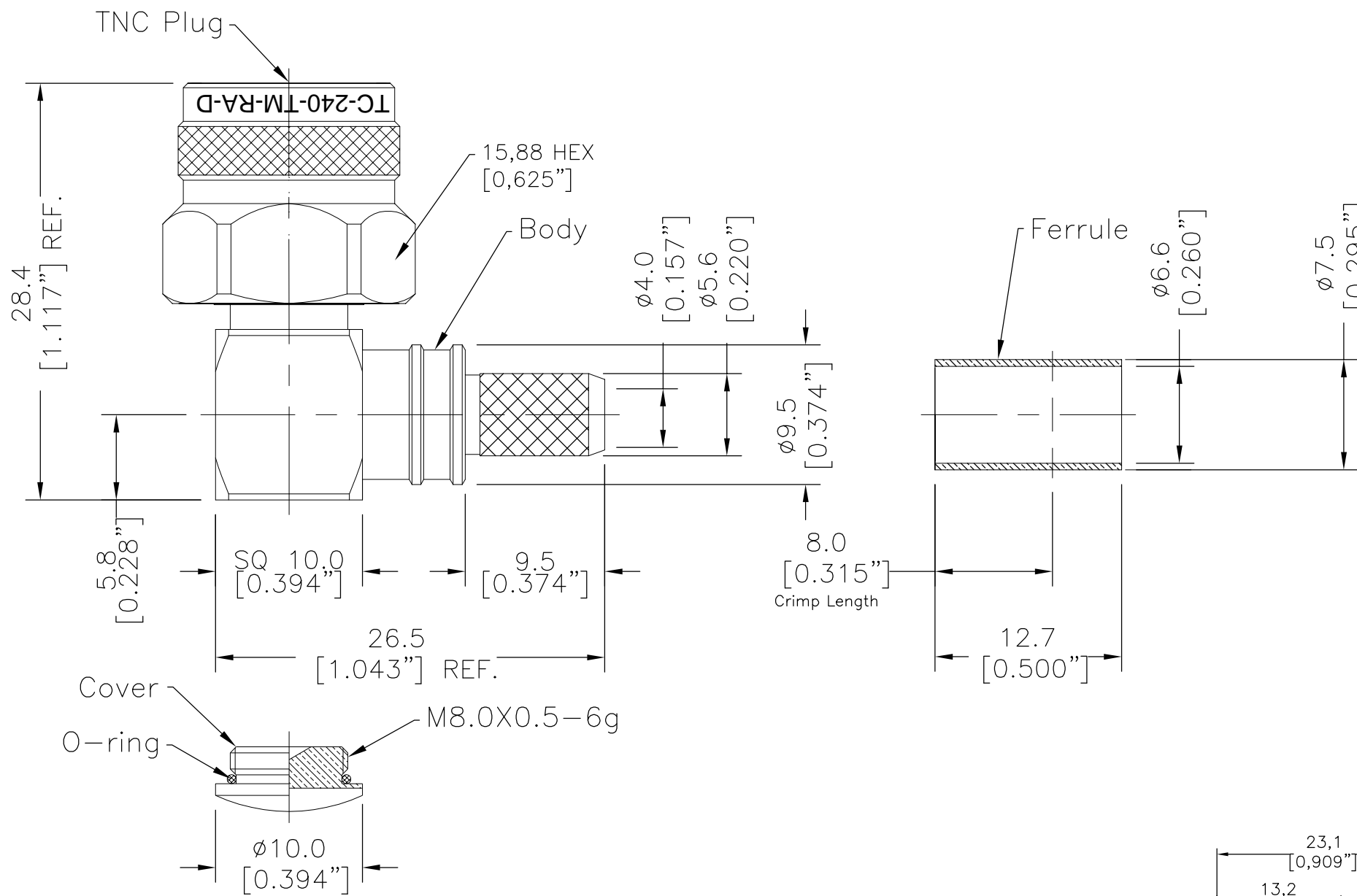


| SYM | REVISION DESCRIPTION    | DFTM   | DATE       | APPD   | APPD       |
|-----|-------------------------|--------|------------|--------|------------|
| A   | RELEASED FOR PRODUCTION | Monica | 2018.11.14 | Joslen | 2018.11.14 |



**I. MATERIALS & FINISHES**

| Components   | Materials | Finishes | Thk. (μ") |
|--------------|-----------|----------|-----------|
| Body         | Brass     | Albaloy  | 80        |
| Center Cont. | Brass     | Gold     | 50        |
| Ferrule      | Brass     | Albaloy  | 80        |
| Nut          | Brass     | Albaloy  | 80        |
| Insulator    | PTFE      | --       | --        |
| Gasket       | Silicone  | --       | --        |

**II. ELECTRICAL PROPERTIES**

|                                      |             |
|--------------------------------------|-------------|
| Impedance (Ω):                       | 50          |
| Frequency Range (GHz):               | DC to 6 GHz |
| Dielectric Withstanding Voltage (V): | 1000        |
| Insulation Resistance (MΩ):          | ≥5000       |
| VSWR:                                | ≤1.35       |
| Insertion Loss(dB, f/GHz):           | -0.1x √f    |

**III. ENVIRONMENT PROPERTIES**

|                    |                                |
|--------------------|--------------------------------|
| Temperature Range: | -40°C~+125°C                   |
| Thermal Shock:     | MIL-STD 202G, Meth.107, Cond.B |
| Vibration:         | MIL-STD 202G, Meth.204, Cond.B |
| Shock:             | MIL-STD 202G, Meth.213, Cond I |
| Climatic Class:    | IEC 60068 55/155/21            |
| RoHS:              | Compliant                      |

**IV. MECHANICAL PROPERTIES**

|                                      |        |
|--------------------------------------|--------|
| Center Cont.:                        | Solder |
| Outer Cont.:                         | Crimp  |
| Coupling Nut Torque (in.lbs):        | 8-12   |
| Cbl-Connector Retention Force (lbs): | 60     |
| Durability (cycles):                 | 500    |

**V. TOOLING**

Crimping Tool: 3190-667/CT-240/200/100

Interface Compatible with Standard:  
IEC 60169-17  
MIL-STD-348A/313

| MATL:                  | UNLESS OTHERWISE SPECIFIED  | DFTM: | Monica     |   |                                |
|------------------------|---|-------|------------|---|--------------------------------|
| USED ON: O             | ALL DIMENSIONS ARE IN mm<br>MACHINED SURFACES FINISH 1.6 RMS MAX.<br>REMOVE ALL BURRS 0.15X45° MAX. BREAK<br>MACHINE CORNERS 0.15X45° D MAX. FILLET<br>R. TOLERANCES ON DECIMALS<br>.X ±0.3 .XX ±0.15<br>ANGLES ±2° FRACTIONS ± N/A | DATE  | 2018.11.14 |   |                                |
| SCALE: N/A DWG SIZE A4 |   | CHKD  | Patrick    |   |                                |
|                        |   | DATE  | 2018.11.14 |   |                                |
|                        |   | APPD  | Joslen     |   |                                |
|                        | DO NOT SCALE DRAWING  | DATE  | 2018.11.14 | <b>TC-240-TM-RA-D</b><br>TNC Male (Plug) Right Angle<br>Solder Pin Connector<br>for LMR-240 Cable |                                |
|                        | CODE ID/FNT   | 68999 | DATE       | 2018.11.14  | SHT 1 OF 1<br><b>3190-6547</b> |
|                        |   |       |            | REV   | A                              |