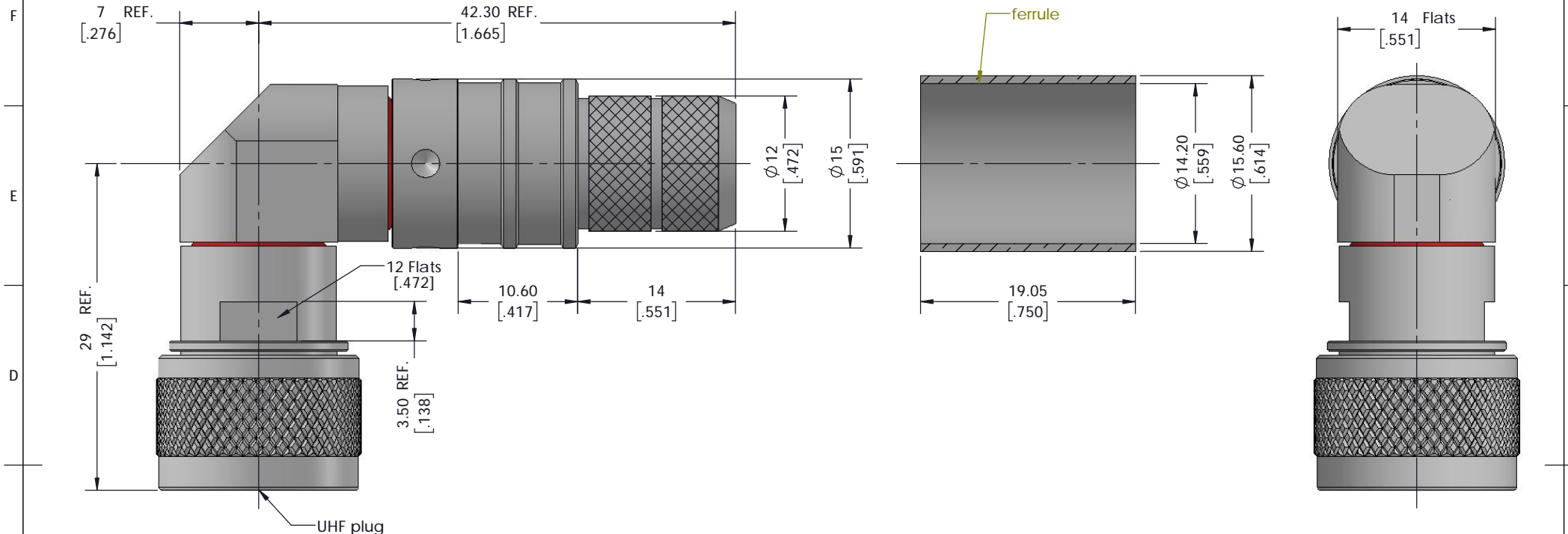


NOTICE OF PROPRIETARY RIGHTS: THIS DOCUMENT CONTAINS CONFIDENTIAL DATA, INCLUDING TRADE SECRETS, PROPRIETARY TO TIMES MICROWAVE SYSTEMS. DISCLOSURE OF THIS DATA IS EXPRESSLY CONDITIONED UPON YOUR ASSENT THAT ITS USE IS LIMITED TO USE WITHIN YOUR COMPANY ONLY. ANY OTHER USE IS STRICTLY PROHIBITED WITHOUT THE PRIOR WRITTEN CONSENT OF TIMES MICROWAVE SYSTEMS.

VER	Description	ECN	Name	Date
A	Initial Released	N/A	Patrick	2018/10/20



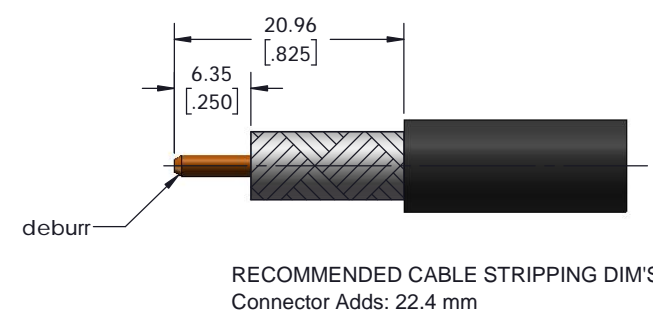
I. MATERIALS & FINISHES			
Component	Material	Finishes	Thk. (u")
Body	Brass	Sn-Ni	100
Contact Pin	Phosphor Bronze	Silver	200
Insulator	PTFE	--	--
Coupling Nut	Brass	Sn-Ni	100
Ferrule	Copper	Sn-Ni	100

II. ELECTRICAL PROPERTIES	
Impedance (Ω):	50
Frequency Range (GHz):	DC~3 GHz
Dielectric Withstanding Voltage (V r.m.s):	2000
Insulation Resistance (MΩ):	≥10000
VSWR:	≤1.30 (DC~2.45 GHz)
Insertion Loss (dB, f / GHz):	-0.1 x sqrt (f)

III. ENVIRONMENT PROPERTIES	
Temperature Range:	-40°C ~ +125°C
Thermal Shock:	MIL-STD-202, Meth. 107, Cond. B
Vibration:	MIL-STD-202, Meth. 204, Cond. B
Shock:	MIL-STD-202, Meth. 213, Cond. G
Climatic Class:	IEC 60068 55/155/21
RoHS:	Compliant

IV. MECHANICAL PROPERTIES	
Center Conductor:	Spring Finger
Outer Conductor:	Crimp
Coupling Nut Torque (in-lbs):	N/A
Cable-Connector Retention Force (lbs):	180
Durability (Cycles):	500

V. Tooling & Accessories	
Stripping Tool:	3192-075/CST-500
Crimping Tool:	3192-169/CT-500
Heat Shrink Tube:	1"x2" (3:1) 1 pcs



Compatible with Standard: IEC 60169-12

UNLESS OTHERWISE SPECIFIED		DFTM Patrick	 An Amphenol Company
ALL DIMENSIONS ARE IN mm MACHINED SURFACES FINISH 1.6 RMS MAX. REMOVE ALL BURRS 0.15X45° MAX. BREAK MACHINE CORNERS 0.15X45° D MAX. FILLET R. TOLERANCES ON DECIMALS X ±0.1 .XX ±0.15 ANGLES ±2° FRACTIONS ±N/A		DATE 2018/10/20	
Scale:	3:1	Size:	A3
CODE IDENT	68999	DATE	2018/10/20
SHT	1/1	3190-8033	REV A

EZ-500-UM-RA-X
UHF Male (Plug) Right Angle Non-Solder Pin No Braid Trim Connector for LMR-500 Cable