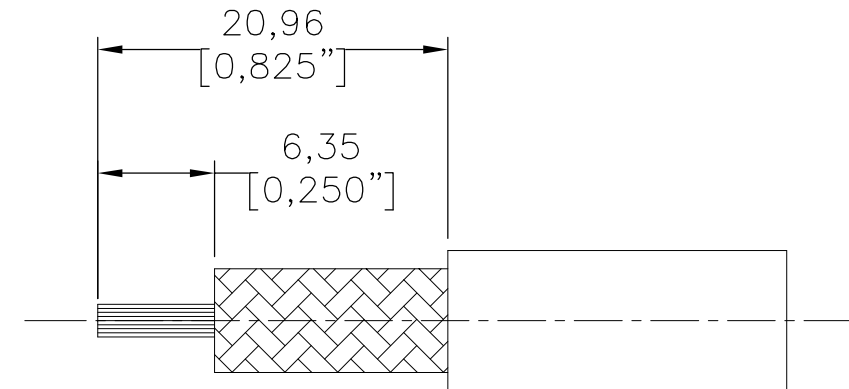
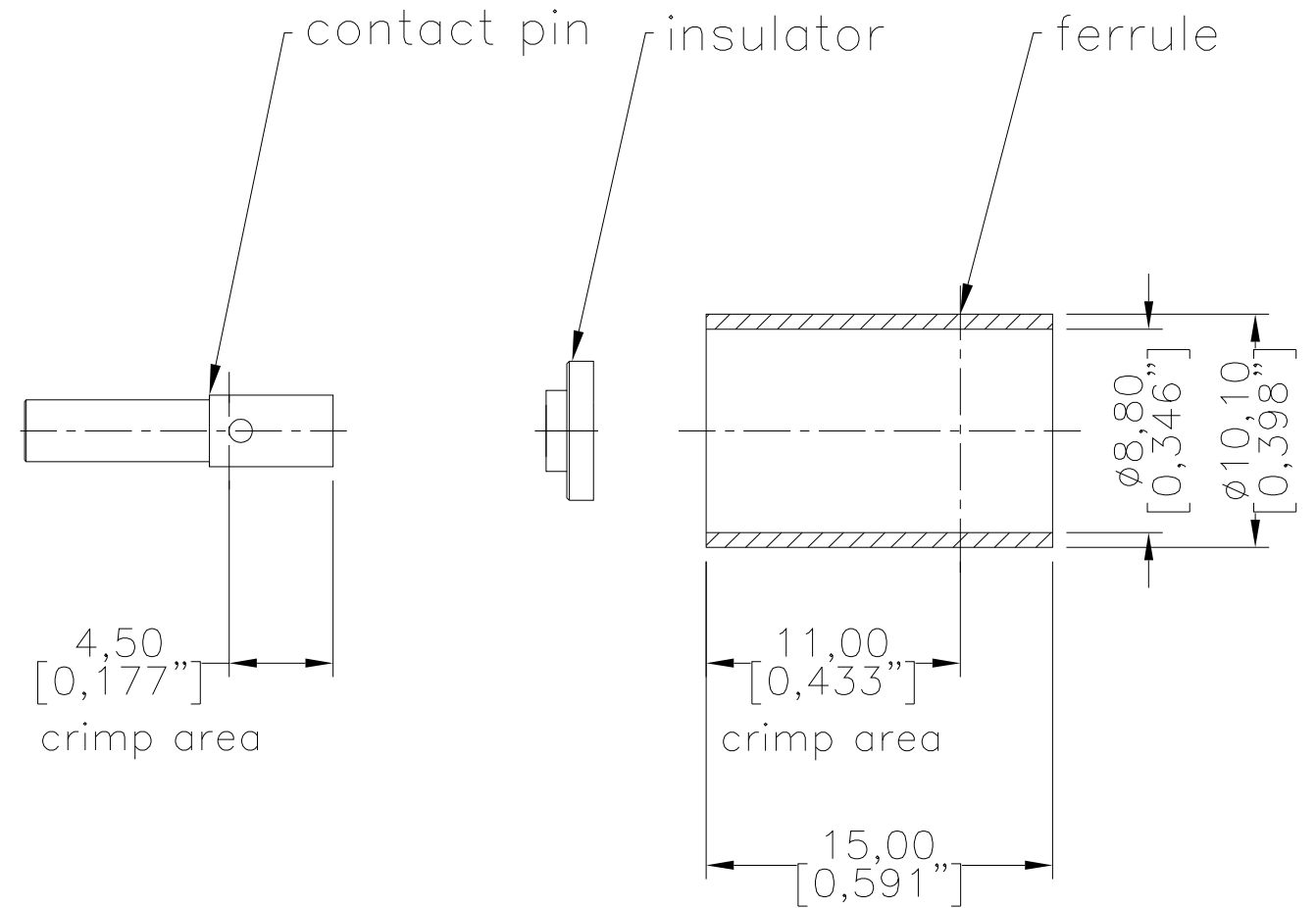
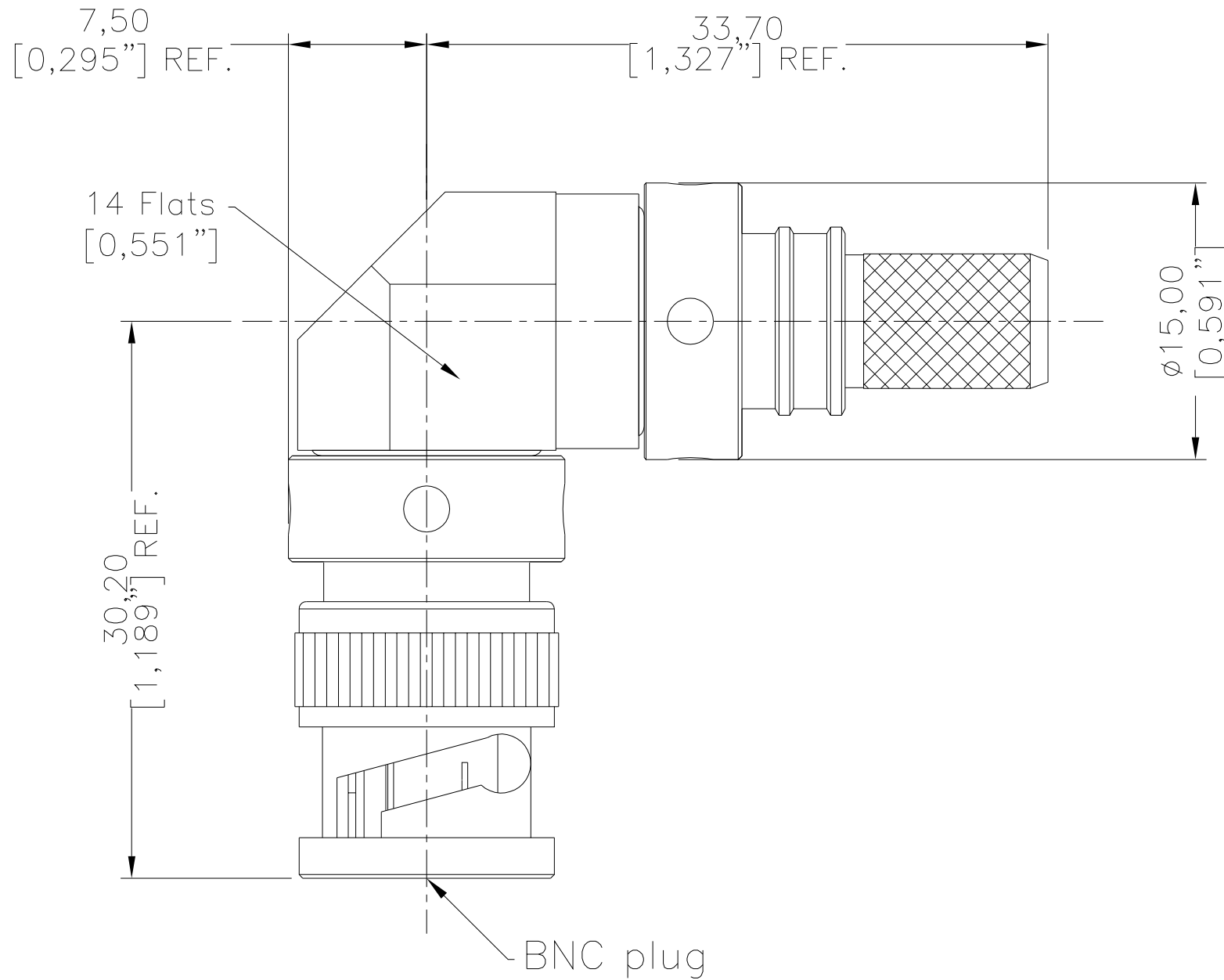


| SYM | REVISION DESCRIPTION    | DFTM    | DATE       | APPD   | APPD       |
|-----|-------------------------|---------|------------|--------|------------|
| A   | RELEASED FOR PRODUCTION | Patrick | 2019/03/30 | Joslen | 2019/03/30 |



RECOMMENDED CABLE STRIPPING DIM'S  
Connector Adds: 17.3 mm

**I. MATERIALS & FINISHES**

| Components  | Materials        | Finishes | Thk. (μ") |
|-------------|------------------|----------|-----------|
| Body        | Brass            | Sn-Ni    | 100       |
| Contact Pin | Beryllium Copper | Gold     | 50        |
| Insulator   | PTFE             | --       | --        |
| Shell       | Brass            | Sn-Ni    | 100       |
| Ferrule     | Brass            | Sn-Ni    | 100       |
| Gasket      | Silicone Rubber  | --       | --        |

**II. ELECTRICAL PROPERTIES**

|                                      |         |
|--------------------------------------|---------|
| Impedance (Ω):                       | 50      |
| Frequency Range (GHz):               | DC-4    |
| Dielectric Withstanding Voltage (V): | 1500    |
| Insulation Resistance (MΩ):          | ≥5000   |
| VSWR: for solder center contact      | ≤1.35   |
| for crimp center contact             | ≤1.40   |
| Insertion Loss(dB, f in GHz):        | -0.1x√f |

**III. ENVIRONMENT PROPERTIES**

|                    |                                 |
|--------------------|---------------------------------|
| Temperature Range: | -65°C~+165°C                    |
| Thermal Shock:     | MIL-STD 202G, Meth.107, Cond. B |
| Vibration:         | MIL-STD 202G, Meth.204, Cond. B |
| Shock:             | MIL-STD 202G, Meth.213, Cond. I |
| Climatic Class:    | IEC 60068 55/155/21             |
| RoHS:              | Compliant                       |

**IV. MECHANICAL PROPERTIES**

|                                      |              |
|--------------------------------------|--------------|
| Center Contact:                      | Solder/Crimp |
| Outer Contact:                       | Crimp        |
| Coupling Nut Torque (in.lbs):        | 0.6-2.5      |
| Cbl-Connector Retention Force (lbs): | 100          |
| Durability (Cycles):                 | 500          |

**V. TOOLING**

|                   |                       |
|-------------------|-----------------------|
| Stripping Tool:   | N/A                   |
| Crimping Size     |                       |
| Center Contact:   | .100" HEX.            |
| Outer Contact:    | .359" HEX.            |
| Heat Shrink Tube: | 1/2"x1.5" (3:1) 1 pcs |

Interface Compatible with Standard:  
IEC 61169-8  
MIL-STD-348

| MATL:      | UNLESS OTHERWISE SPECIFIED  | DFTM. Patrick        | TIMES MICROWAVE SYSTEMS<br>An Amphenol Company   |           |       |  |
|------------|---|----------------------|--|-----------|-------|--|
|            | ALL DIMENSIONS ARE IN mm<br>MACHINED SURFACES FINISH 1.6 RMS MAX.<br>REMOVE ALL BURRS 0.15X45° MAX. BREAK<br>MACHINE CORNERS 0.15X45° D MAX. FILLET<br>R. TOLERANCES ON DECIMALS<br>.X ±0.3 .XX ±0.15<br>ANGLES ±2° FRACTIONS ± N/A | DATE 2019/03/30      | <b>TC-3112-BM-RA-X</b><br>BNC Male (Plug) Right Angle<br>Solder/Crimp Pin No Braid Trim<br>Connector for TCA311201 Cable |           |       |  |
|            |   | CHKD Monica          |  |           |       |  |
|            |   | DATE 2019/03/30      |  |           |       |  |
|            |   | APPD Joslen          |  |           |       |  |
| USED ON: O |   | DATE 2019/03/30      | SHT 1/1  | 3190-8084 | REV A |  |
| SCALE: N/A | DWG SIZE A3   | DO NOT SCALE DRAWING | CODE INFNT   | 68999     |       |  |