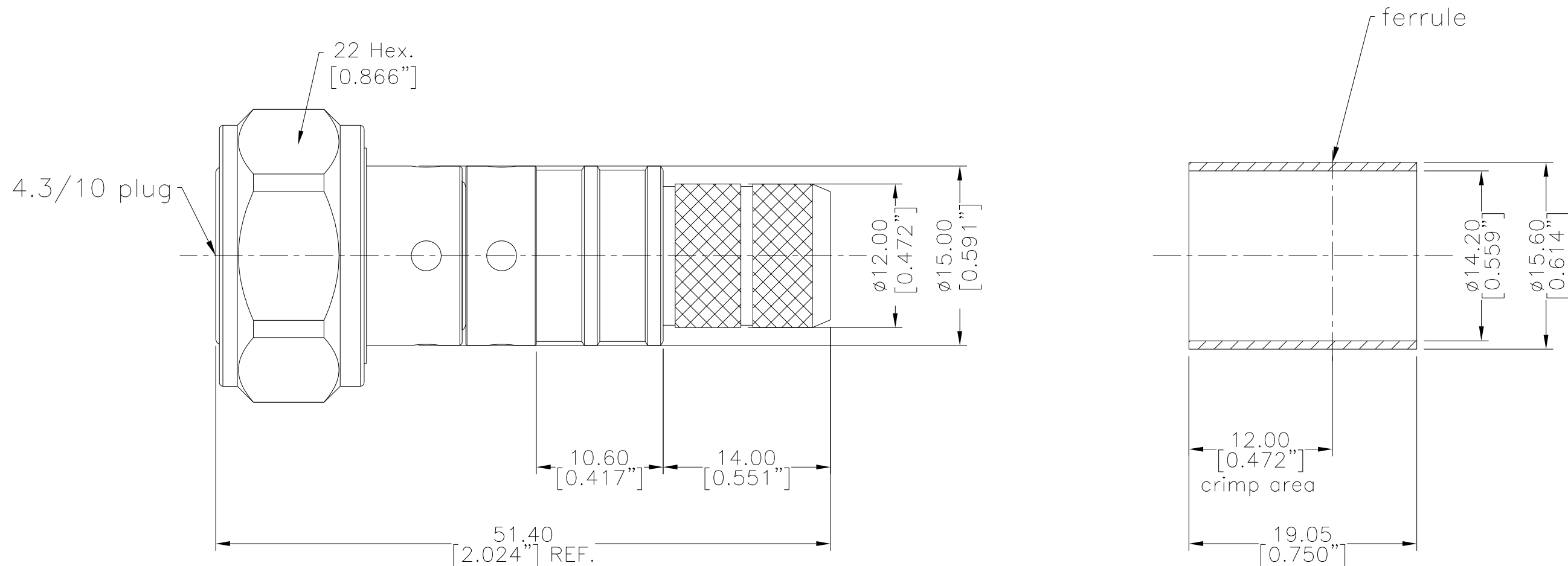


**NOTICE OF PROPRIETARY RIGHTS** THIS DOCUMENT CONTAINS CONFIDENTIAL DATA, INCLUDING TRADE SECRETS, PROPRIETARY TO TIMES MICROWAVE SYSTEMS. DISCLOSURE OF THIS DATA IS EXPRESSLY CONDITIONED UPON YOUR ASSENT THAT ITS USE IS LIMITED TO USE WITHIN YOUR COMPANY ONLY. ANY OTHER USE IS STRICTLY PROHIBITED WITHOUT THE PRIOR WRITTEN CONSENT OF TIMES MICROWAVE SYSTEMS.

SYM	REVISION DESCRIPTION	DFTM	DATE	APPD	APPD
A	RELEASED FOR PRODUCTION	Patrick	2019/04/19	Joslen	2019/04/19



**I. MATERIALS & FINISHES**

Components	Materials	Finishes	Thk. (μ")
Body	Brass	Sn-Ni	100
Contact Pin	Beryllium Copper	Gold	50
Insulator	PTFE	--	--
Coupling Nut	Brass	Sn-Ni	100
Ferrule	Brass	Sn-Ni	100
Gasket	Silicone Rubber	--	--

**II. ELECTRICAL PROPERTIES**

Impedance:	50 Ω
Frequency Range:	DC to 6 GHz
Dielectric Withstanding Voltage:	2500 V rms
Insulation Resistance:	≥10000 MΩ
VSWR:	≤1.30
Insertion Loss:	-0.1x√f(GHz) dB

**III. ENVIRONMENTAL PROPERTIES**

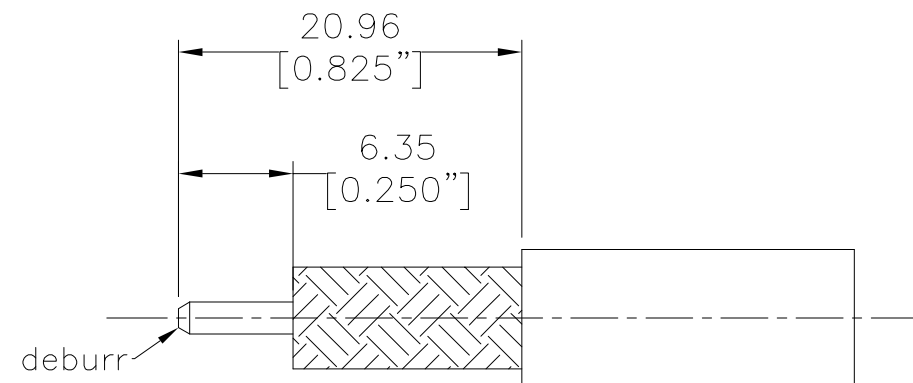
Temperature Range:	-40°C to +125°C
Thermal Shock:	MIL-STD-202, Meth.107, Cond. B
Vibration:	MIL-STD-202, Meth.204, Cond. B
Shock:	MIL-STD-202, Meth.213, Cond. I
Climatic Class:	IEC 60068 40/85/21
RoHS:	Compliant

**IV. MECHANICAL PROPERTIES**

Center Contact:	Spring Finger
Outer Contact:	Crimp
Coupling Nut Torque:	5 N.m
Cbl-Connector Retention Force:	180 lbs
Durability:	100 Cycles


**V. TOOLINGS & ACCESSORIES**

Stripping Tool:	3192-075/ CST-500
Crimping Tool:	3192-169/ CT-500
Heat Shrink Tube:	1"x2" (3:1) 1 pcs



RECOMMENDED CABLE STRIPPING DIM'S  
Connector Adds: 31.5 mm

Interface Compatible with Standard:  
IEC 61169-54

MATL:	UNLESS OTHERWISE SPECIFIED	DFTM.	Patrick				
	ALL DIMENSIONS ARE IN mm MACHINED SURFACES FINISH 1.6 RMS MAX. REMOVE ALL BURRS 0.15X45° MAX. BREAK MACHINE CORNERS 0.15X45° D MAX. FILLET R. TOLERANCES ON DECIMALS .X ±0.3 .XX ±0.15 ANGLES ±2° FRACTIONS ± N/A	DATE	2019/04/19				
		CHKD	Monica				
		DATE	2019/04/19				
USED ON: O		APPD	Joslen	4.3/10 Male (Plug) Straight Non-Solder Pin No Braid Trim Connector for LMR-500 Cable			
SCALE: N/A	DWG SIZE A3	DO NOT SCALE DRAWING	CODE IDENT 68999	DATE 2019/04/19	SHT 1/1	3190-8098	REV A