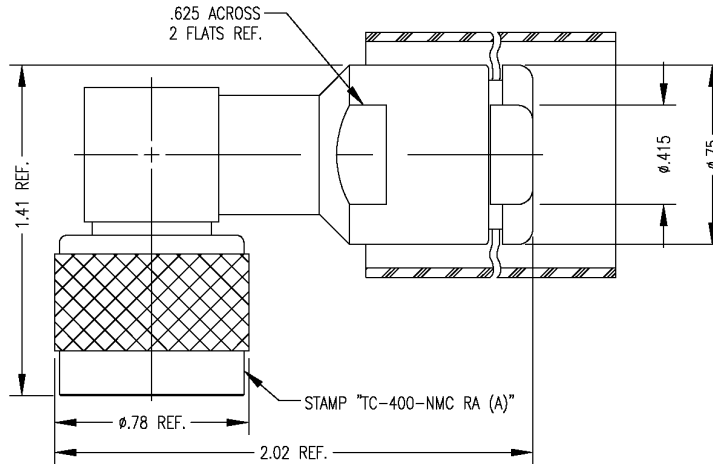


THE REVISION STATUS OF ALL SHEETS OF THIS DRAWING IS THE SAME AS SHEET 1

LTR	DESCRIPTION	DATE	BY
-	Released	5/21/01	JCL
A	Updated Sketch	4/13/06	JCL



I. MATERIALS & FINISHES

- center contact: Gold Plated Beryllium Copper
- outer contact: Alballoy Plated Brass
- coupling nut: Alballoy Plated Brass
- body: Alballoy Plated Brass
- dielectric: Teflon® PTFE
- gasket: Silicone Rubber
- shrink sleeve: Adhesive Lined Polyolefin
- attachment: braid clamp

II. ELECTRICAL PROPERTIES

- impedance: 50 ohms
- working voltage: 1000 vrms (max)
- vswr: 1.25:1 (max) up to 2 GHz
- insertion loss: 0.15 x √Fghz

Unless otherwise specified, dimensions are in inches. Tolerances are applicable when specified.

These drawings and specifications contain proprietary information which is the property of Times Microwave Systems.

Approvals		
Drawn	JCL	5/21/01



TIMES MICROWAVE SYSTEMS

Wallingford, CT 06492
 (203) 949-8400; (203) 949-8423.Fax
 www.timesmicrowave.com

TC-400-NMC-RA (A)

Type-N male Right Angle
 for LMR-400 Cable

Size A	CAGE CODE 68999	Drawing No.: 3190-870
-----------	---------------------------	---------------------------------

Scale: NA	Rev. (A)	Sheet: 1 of 1
-----------	----------	---------------