

INSTALLATION INSTRUCTIONS

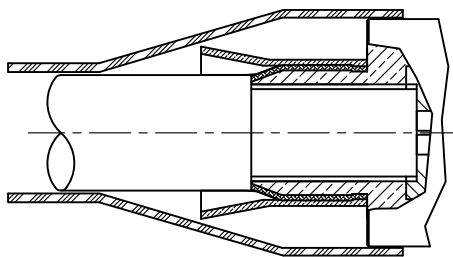
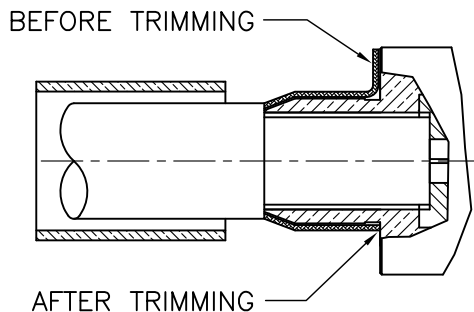
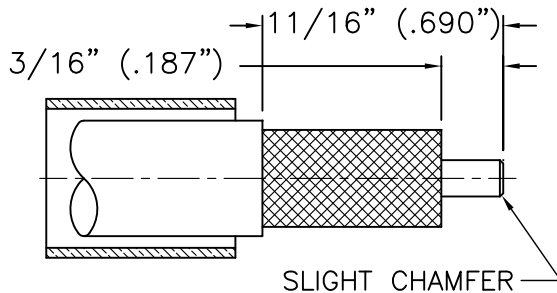
EZ-400-NMH (3190-400,-425,-487,-905)

EZ-400-NF-BH (3190-424,-518)

EZ-400-NMK (3190-661)

EZ-400-NMH-RA (3190-761)

CABLE TYPES: LMR-400, 400-DB, 400-FR, 400-PVC
(NOT RECOMMENDED FOR LMR-400-ULTRA-FLEX, 400-LLPL & FBT-400)



- Trim cable to dimensions shown using a razor knife or Times ST-400-EZ strip tool.
 - Remove any residual plastic from the center conductor.
 - Deburr center conductor using a fine file or Times DBT-01 tool.
- Slide heat shrink tube and crimp ring over cable.
 - Insert cable into connector body until dielectric is fully seated and center conductor is inserted fully into connector center pin.
 - Trim excess braid flush to back of connector body. (optional)
- Slide crimp ring over braid and crimp as close as possible to connector body using a .429" hex die. Use Times HX-4 tool or equivalent.
 - Heat shrink weather seal over rear of connector body and down onto cable jacket using a hot air gun.