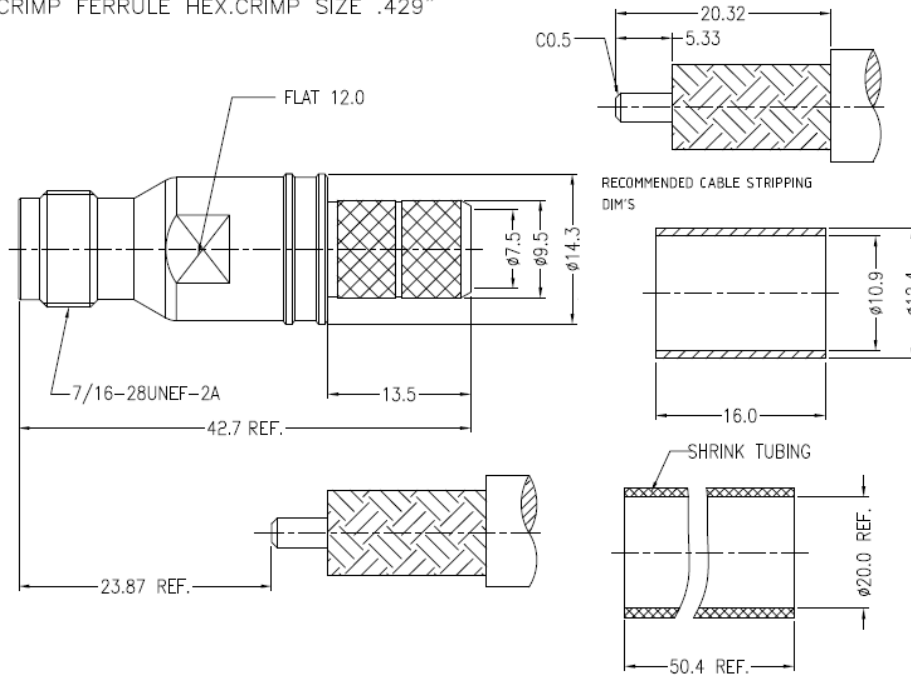


NOTICE OF PROPRIETARY RIGHTS THIS DOCUMENT CONTAINS CONFIDENTIAL TECHNICAL DATA, INCLUDING TRADE SECRETS, PROPRIETARY TO TIMES MICROWAVE SYSTEMS. DISCLOSURE OF THIS DATA IS EXPRESSLY CONDITIONED UPON YOUR ASSENT THAT ITS USE IS LIMITED TO USE WITHIN YOUR COMPANY ONLY. ANY OTHER USE IS STRICTLY PROHIBITED WITHOUT THE PRIOR WRITTEN CONSENT OF TIMES MICROWAVE SYSTEMS.

| SYM | REVISION DESCRIPTION | DFTM | DATE | APPD | DATE |
|-----|-------------------------|---------|--------|----------|---------|
| A | RELEASED FOR PRODUCTION | N. N. N | 5/9/14 | J. D. B. | 5/23/14 |

REMARKS:
1. CRIMP FERRULE HEX. CRIMP SIZE .429"



| MATERIALS AND PLATING | | UNIT: MICRO-INCHES |
|-----------------------|--------------------|-------------------------|
| BODY | BRASS C3604 | ALBALDY 80u"/COPPER |
| CONTACT PIN | PHOSPHOR-BRONZE | GOLD 50u"/NICKEL/COPPER |
| INSULATOR | TEFLON MIL-P-19468 | N/A |
| BARREL | BRASS C3604 | ALBALDY 80u"/COPPER |

| ELECTRICAL CHARACTERISTICS | |
|---------------------------------|---|
| Impedance | 50 Ω |
| Voltage rating | 750V(rms) |
| Frequency range | 0~6GHz |
| Dielectric withstanding voltage | 1000V |
| Contact resistance | Center contact: ≤3mΩ Outer contact: ≤2mΩ |
| Insulation resistance | ≥5000MΩ |
| Insertion loss | (According as the cable) |
| RF-leakage | N/A |
| VSWR | 1.30 MAX.@0-6GHz |
| 3rd Intermodulation | N/A |

| MECHANICAL CHARACTERISTICS | |
|--------------------------------|--------------|
| Force to engage and disengage | N/A |
| Center contact retention force | 6 lbs MIN. |
| Coupling torque | N/A |
| Coupling nut retention force | N/A |
| Durability | ≥ 500 cycles |

| ENVIRONMENTAL CHARACTERISTICS | |
|-------------------------------|---------------|
| Temperature range | -55°C- +125°C |

| | | | | |
|--------------------|-----------------------------|----------------------|------------------|------------------------------------|
| MATL: SEE ABOVE | UNLESS OTHERWISE SPECIFIED | | DFTM. N. N. N | TIMES MICROWAVE SYSTEMS |
| | ALL DIMENSIONS ARE IN mm | | DATE 5/9/14 | |
| USED ON: | UNLESS OTHERWISE SPECIFIED: | | CHKD. J. D. B. | EZ-400-TF-X TNCF for LMR-400 |
| | 1) EDGES C0.15 MAX; | | DATE 5/23/14 | |
| | 2) REMOVE ALL BURRS; | | APPD. J. D. B. | |
| SCALE: ~ | DWG. SIZE A | DO NOT SCALE DRAWING | CODE IDENT 68999 | DATE 5/23/14 |
| | | | SHEET 1 of 1 | SD3190-3049 |
| | | | REV A | |