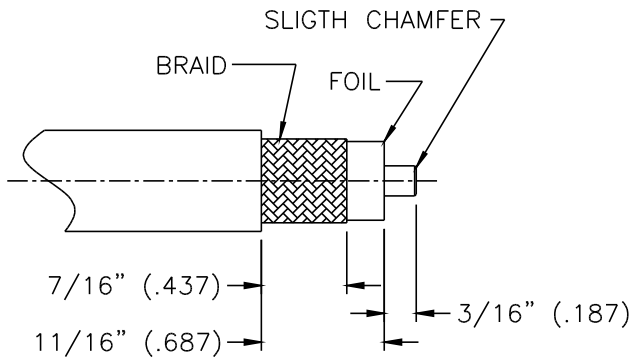
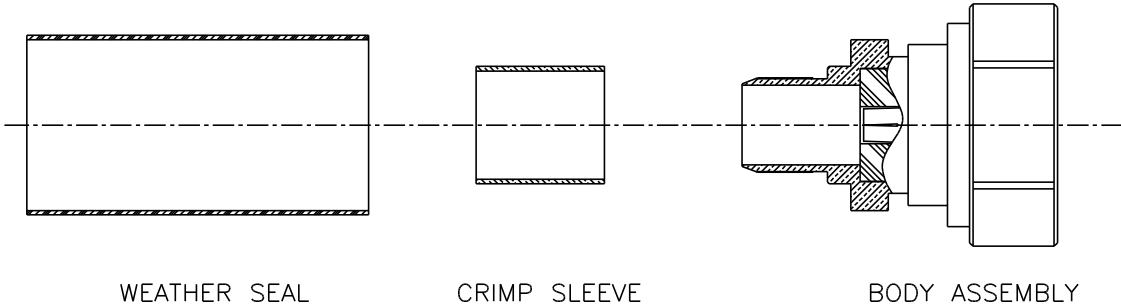


TIMES MICROWAVE SYSTEMS

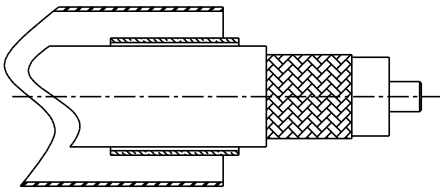
358 Hall Avenue/P.O. Box 5039
Wallingford, CT 06492-5039
Tel: 203-949-8400
FAX: 203-949-8423
1-800-TMS-COAX
www.timesmicrowave.com

INSTALLATION INSTRUCTIONS EZ-600-716M (3190-503)

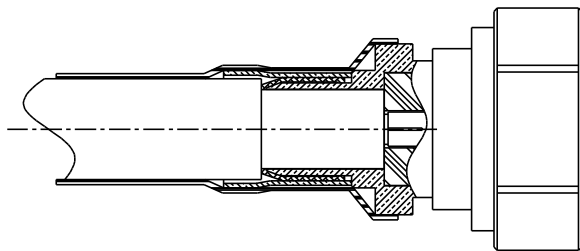
(Cable types: LMR-600, 600-DB, 600-FR)



1. A. Trim cable to dimensions shown.
- B. Remove any residual plastic from the center conductor.
- C. Deburr center conductor using a fine file.



2. A. Slide heat shrink tube and crimp ring over cable.



3. A. Insert cable into connector body until dielectric is fully seated and center conductor is inserted fully into connector center pin.
- B. Slide crimp ring over braid and crimp as close as possible to connector body using a .610 hex die. Use Times HX-4 tool or equivalent.
- C. Heat shrink weather seal over rear of connector body and down onto cable jacket using a hot air gun.