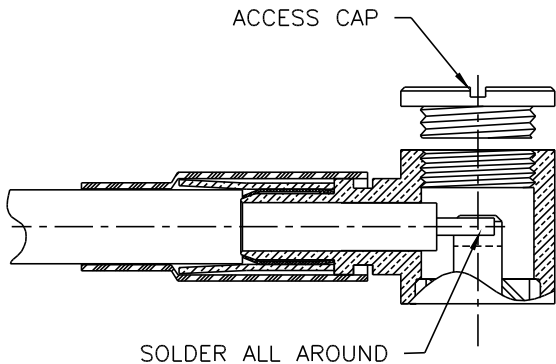
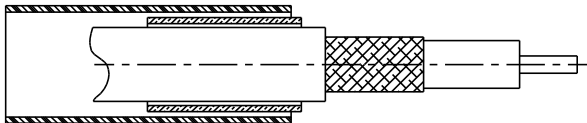
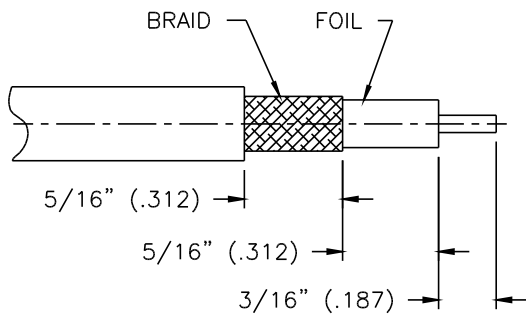
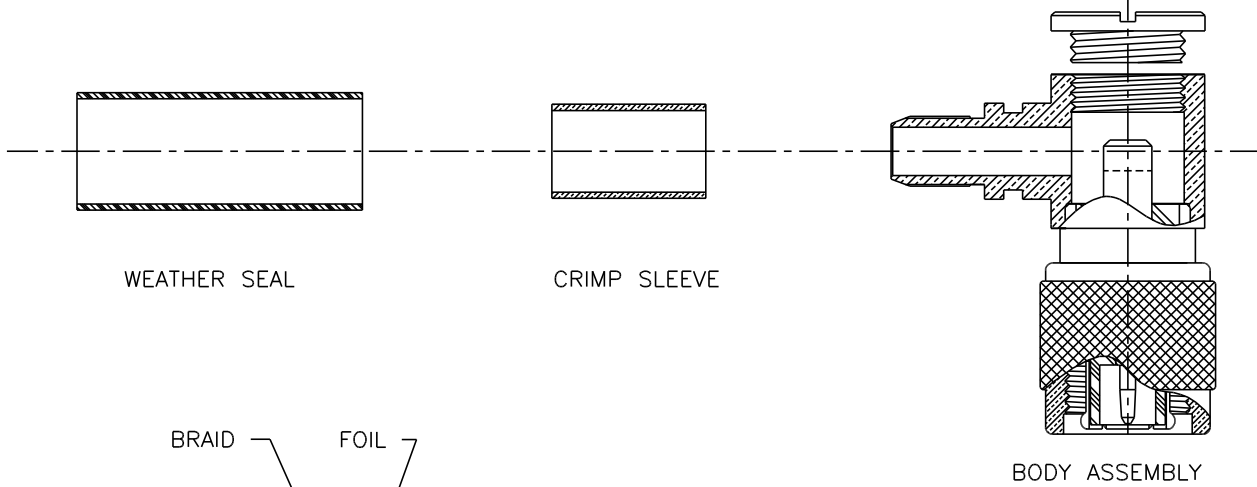


TIMES MICROWAVE SYSTEMS

358 Hall Avenue/P.O. Box 5039
Wallingford, CT 06492-5039
Tel: 203-949-8400
FAX: 203-949-8423
1-800-TMS-COAX
www.timesmicrowave.com

INSTALLATION INSTRUCTIONS TC-240-TM-RA (3190-604)

(Cable Types: LMR-240; 240-DB; 240-FR; 240-Ultraflex; 240-MA)



1. A. Trim cable per dimensions shown
B. Remove any residual plastic from the center conductor and deburr center conductor using a fine file.
2. A. Slide crimp sleeve and weather seal over cable.
3. A. Insert cable into connector until fully seated, with all braid wires on the outside of connector body and aluminum tape inside connector body.
B. Slide crimp sleeve forward and crimp as close as possible to body using a .255" hex die. Use Times HX-4 crimp tool or equivalent. Do not crimp rear of crimp sleeve.
C. Heat shrink weather seal over rear of connector body and down onto cable jacket using hot air gun.
D. Solder center conductor to contact. Use minimal heat to minimize melting of foam dielectric. Inspect to be sure aluminum foil is not touching center contact. Install access cap.